

# **SINGER**

## **2600 Series**



**LIST OF PARTS  
SEWING MACHINE SERIES**

**2600**


2601, 2602, 2603, 2604, 2605, 2615,  
2616, 2628, 2630, 2643

**(GRC-FLAT BED)**



THE SINGER COMPANY  
© 1998 SINGER DO BRASIL  
ALL RIGHTS RESERVED

PRINTED IN BRAZIL  
P/N 357671-001  
DEC/98



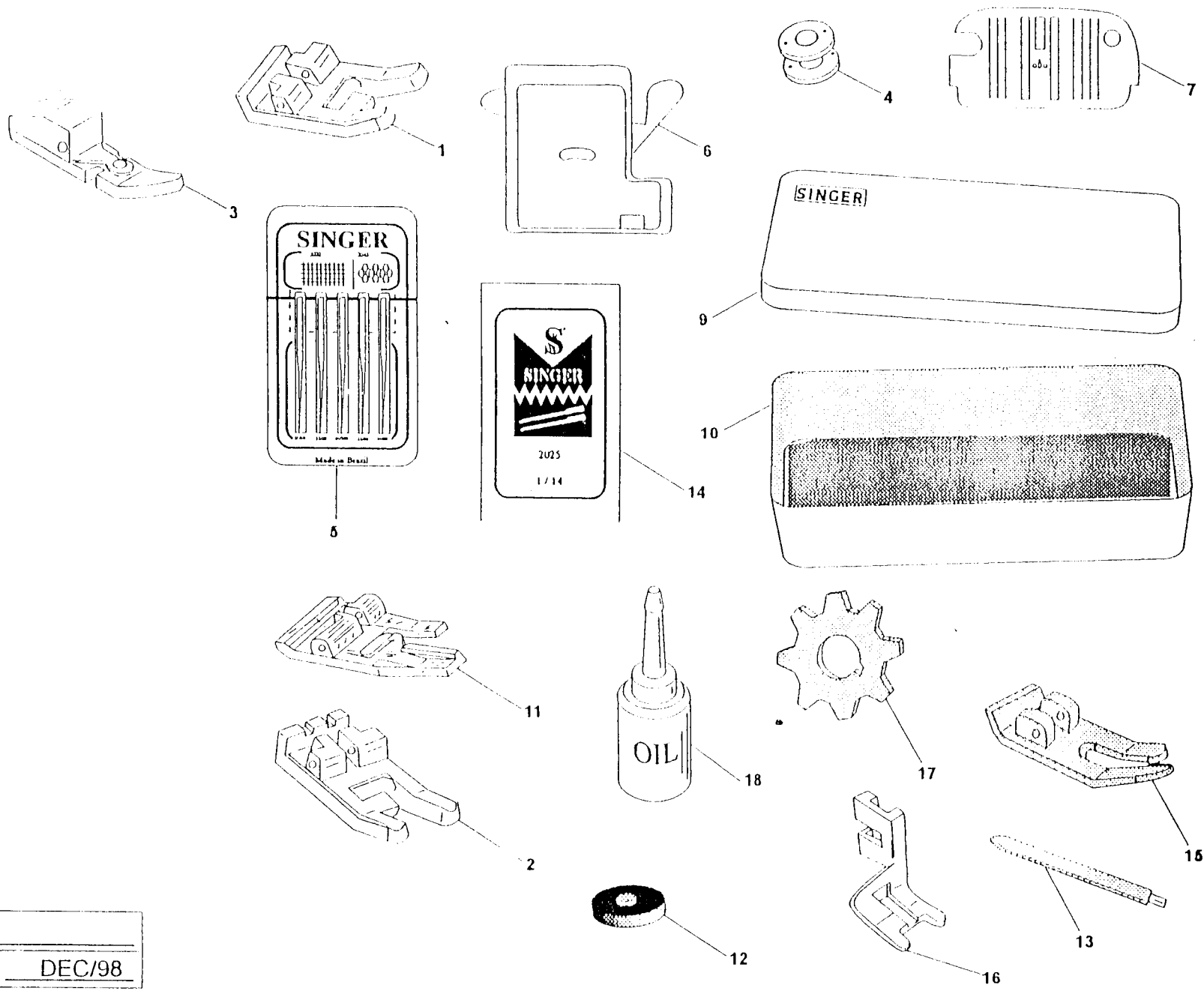
From the library of: Diamond Needle Corp

PART LIST  
2600 Series  
REVISION RECORD

REV.	DESCRIPTION	APPROVAL AND DATE	
	ADOPT.	L.F.GONZAGA	DEC/98

From the library of: Diamond Needle Corp

ATTACHMENT SET



From the library of: Diamond Needle Corp

REV: \_\_\_\_\_  
DATE: DEC/98

## INDEX

PAGE NBR	SUB-ASSEMBLY
01 - 04	ATTACHMENT SET
05 - 06	ARM, BED, THROAT PLATE & BED SLIDE
07 - 08	ARM TOP COVER
09 - 10	COVERS & ADD-ONS
11 - 13	NEEDLE BAR
14 - 15	PRESSER BAR
16 - 17	ARM SHAFT DRIVE
18 - 19	HAND WHEEL
20 - 21	TENSION MECHANISM
22 - 23	ROTATING HOOK
24 - 25	BIGHT AMPLITUDE
26 - 27	NEEDLE POSITION
28 - 29	CAM STACK
30 - 31	FEED REGULATOR CAM
32 - 33	BUTTONHOLER & FEED REGULATOR CAM
34 - 35	FEED SYSTEM
36 - 38	ELECTRICAL EQUIPMENT

From the library of: Diamond Needle Corp

**PART LIST  
ATTACHMENT SET**

**2 2 2 2 2 2 2 2 2 2  
6 6 6 6 6 6 6 6 6 6  
0 0 0 0 0 1 1 2 3 4  
1 2 3 4 5 5 6 8 0 3**

**REF. PART NBR. DESCRIPTION**

01	446492-451	SPECIAL PURPOSE PRESSER FOOT PLATE	-	X	-	-	X	X	X	X	X	X	X	X
02	161927	BUTTONHOLER PRESSER FOOT	-	0	0	X	X	X	X	X	X	X	X	X
03	507836	ZIPPER & CORDING PRESSER FOOT	-	X	0	0	X	X	X	X	X	X	X	X
04	172336	BOBBIN (PLASTIC)	X	X	X	X	X	X	X	X	X	X	X	X
05	353364	NEEDLE PACK (NEEDLE 2020 SIZE 11/14/15 & NEEDLE 2045 SIZE 11//14)	-	X	X	X	X	X	X	X	X	X	X	X
05	381058	NEEDLE PACK (NEEDLE 1010 SIZE 11/14/16)	X	-	-	-	-	-	-	-	-	-	-	-
06	313117	FEED COVER PLATE (PLASTIC)	X	X	X	X	X	X	X	X	X	X	X	X
07	356714-000	THROAT PLATE STRAIGHT STITCH	-	0	0	0	0	0	0	0	0	0	X	X
09	446149-461	ATTACHMENT BOX COVER (SMALL)	X	X	X	X	X	X	X	X	X	X	-	-
09	381287-455	ATTACHMENT BOX COVER (LARGE)	-	-	-	-	-	-	-	-	-	-	X	X
10	446148-458	ATTACHMENT BOX BASE (SMALL)	X	X	X	X	X	X	X	X	X	X	-	-
10	381286-455	ATTACHMENT BOX BASE (LARGE)	-	-	-	-	-	-	-	-	-	-	X	X
11	356630	BLIND STITCH PRESSER FOOT	-	-	X	X	X	X	-	X	X	X	X	X
12	8879-656	ARM SPOOL PIN WASHER (FELT)	X	X	X	X	X	X	X	X	X	X	X	X
12	8879-656	ARM SPOOL PIN WASHER (FELT) FOR TWIN NEEDLE	X	0	0	0	0	0	X	0	X	X	X	X
13	356942-453	ARM TOP COVER SPOOL PIN	X	X	X	X	X	X	X	X	X	X	X	X
13	356942-453	ARM TOP COVER SPOOL PIN FOR TWIN NEEDLE	X	0	0	0	0	0	X	0	X	X	X	X
14	531868	NEEDLE PACK WITH NEEDLE 2025 SIZE 14	X	0	0	0	0	0	X	0	X	X	X	X
15	153267	PRESSER FOOT PLATE FOR STRAIGHT STITCH	-	0	0	0	0	0	0	0	0	0	X	X
16	179911	PRESSER FOOT PLATE FOR SEWING ON BUTTON	-	X	0	0	0	0	X	X	X	X	X	X

0 = OPTIONAL PARTS

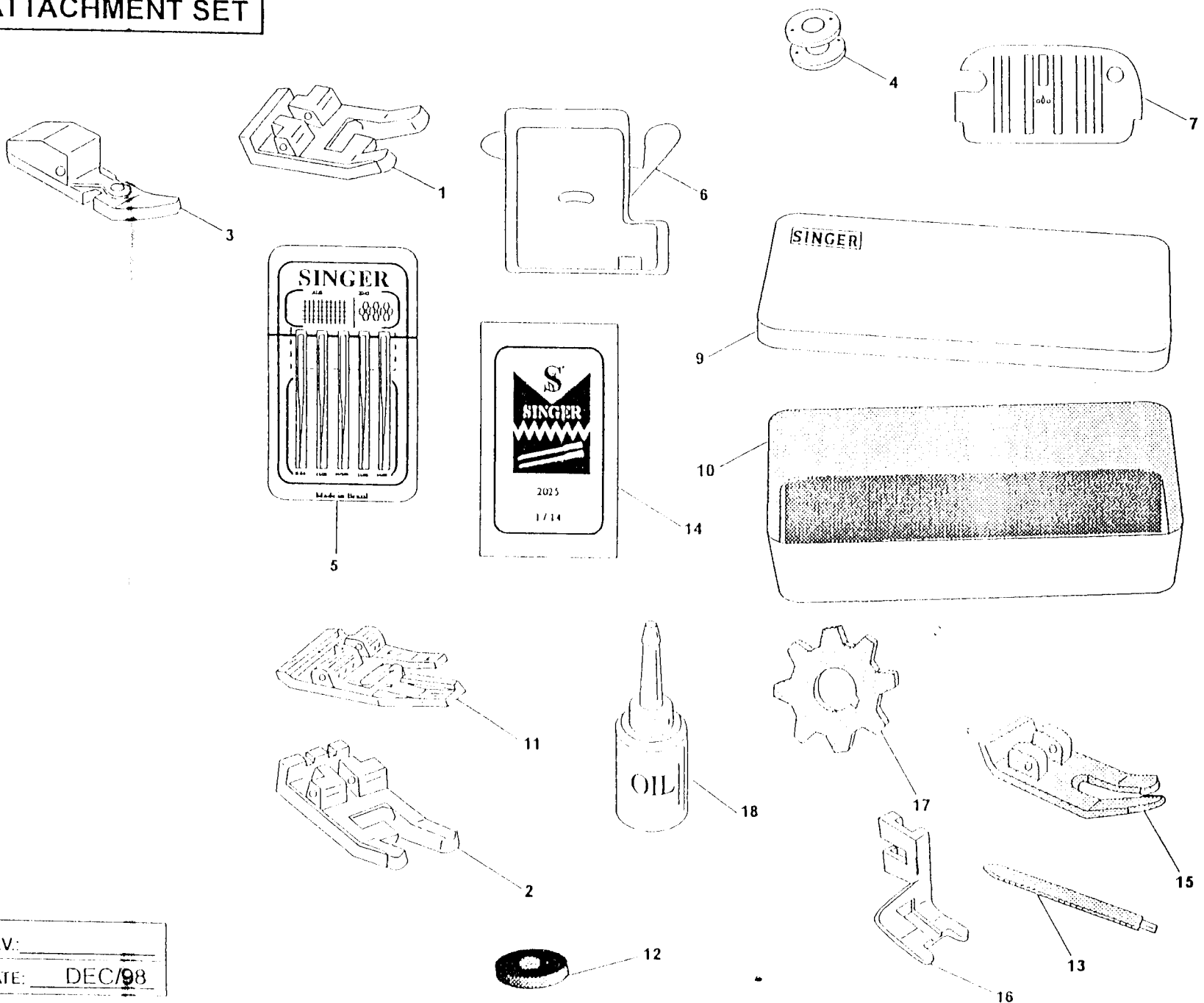
REF.	NEW	IN REPLACE OF	DATE
09	446149-461	446149-458	12/12/1997
09	381287-455	381287-454	12/12/1997
10	446148-458	446148-456	12/12/1997
10	381286-455	381286-454	12/12/1997
12	8879-656	8879-455	03/25/1997
12	8879-656	8879-455	03/25/1997

2600 series.

P/N 3576-1-001

Adopt.

ATTACHMENT SET



From the library of: Diamond Needle Corp

REV: \_\_\_\_\_  
 DATE: DEC/98

**PART LIST  
ATTACHMENT SET (CONT.)**

**2 2 2 2 2 2 2 2 2 2  
6 6 6 6 6 6 6 6 6 6  
0 0 0 0 0 1 1 2 3 4  
1 2 3 4 5 5 6 8 0 3**

**REF. PART NBR. DESCRIPTION**

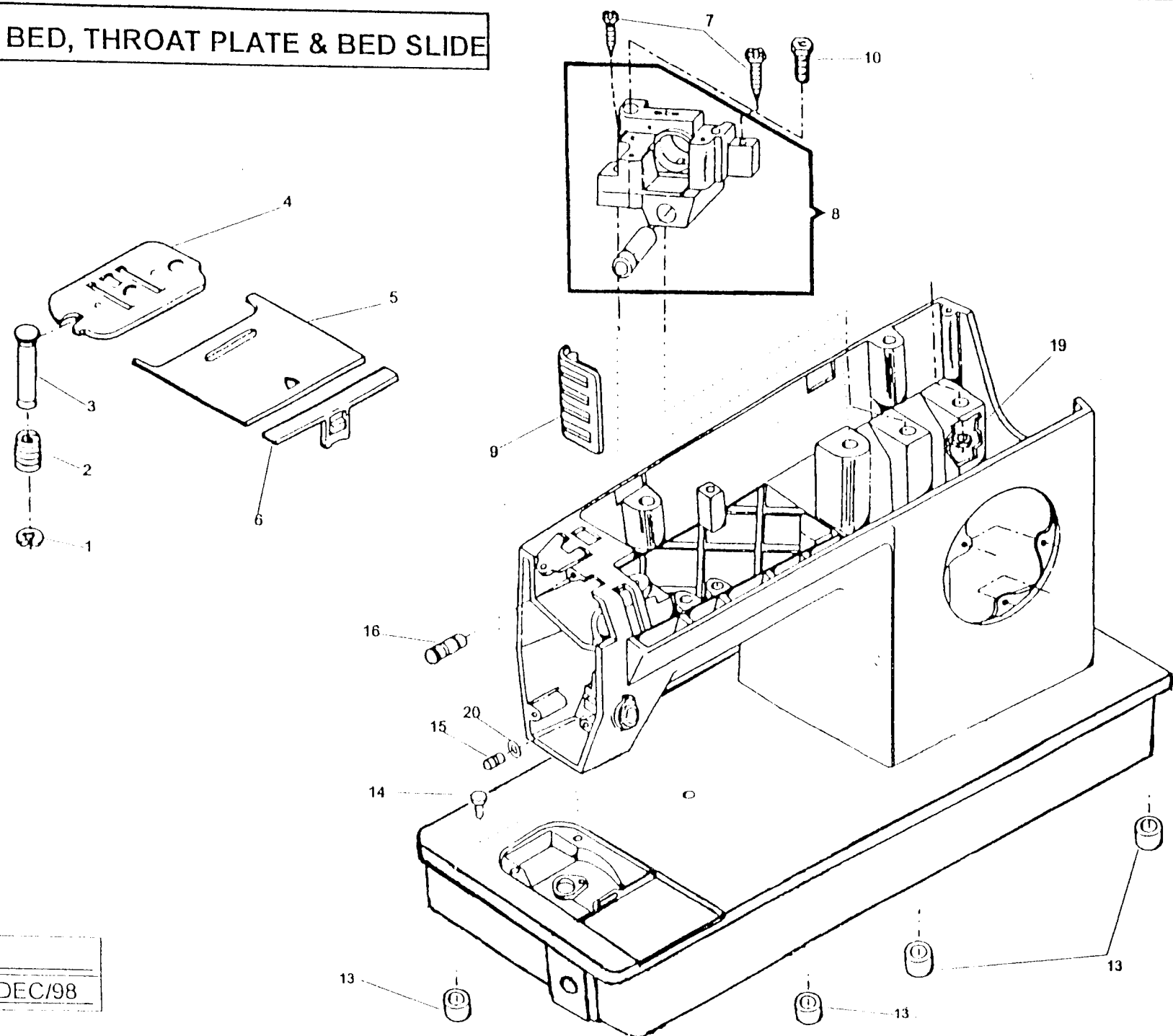
17	276302	DISC NBR 2 (MULTI ZIG-ZAG STITCH)	-	-	-	-	X	X	-	X	X	X
17	276304	DISC NBR 4 (SCALLOP STITCH)	-	-	-	-	-	-	-	-	X	X
17	276305	DISC NBR 5 (ARROWHEAD STITCH)	-	-	-	-	-	X	-	X	X	X
17	276306	DISC NBR 6 (DOMINO STITCH)	-	-	-	-	-	X	-	X	X	X
17	276307	DISC NBR 7 (SHELL STITCH)	-	-	-	-	-	X	-	X	X	X
17	276309	DISC NBR 9 (ICICLE STITCH)	-	-	-	-	-	-	-	-	X	X
17	276310	DISC NBR 10 (BANNER STITCH)	-	-	-	-	-	X	-	X	X	X
17	276311	DISC NBR 11 (KEY STITCH)	-	-	-	-	-	-	-	-	X	X
17	276312	DISC NBR 12 (WALLS OF TROY STITCH)	-	-	-	-	-	X	-	X	X	X
17	276313	DISC NBR 13 (DIAMOND STITCH)	-	-	-	-	-	X	-	X	X	X
17	276314	DISC NBR 14 (ZIG-ZAG POINTS STITCH)	-	-	-	-	-	-	-	-	X	X
17	276315	DISC NBR 15 (LONG OBLIQUE STITCH)	-	-	-	-	-	-	-	-	X	X
17	276316	DISC NBR 16 (SHINGLE STITCH)	-	-	-	-	-	-	-	-	X	X
17	276317	DISC NBR 17 (PENNANT STITCH)	-	-	-	-	-	-	-	-	X	X
17	276318	DISC NBR 18 (THREE STEP STITCH)	-	-	-	-	-	-	-	-	X	X
17	276319	DISC NBR 19 (BALL STITCH)	-	-	-	-	-	-	-	-	X	X
17	276320	DISC NBR 20 (CURVE MENDING STITCH)	-	-	-	-	-	-	-	-	X	X
17	276322	DISC NBR 22 (SEMAPHORE STITCH)	-	-	-	-	-	-	-	-	X	X
17	276323	DISC NBR 23 (SOLID PYRAMID STITCH)	-	-	-	-	-	-	-	-	X	X
17	276325	DISC NBR 25 (SPINY STITCH)	-	-	-	-	-	-	-	-	X	X
17	276326	DISC NBR 26 (BLOCK STITCH)	-	-	-	-	-	X	-	X	X	X
17	276327	DISC NBR 27 (FAGOTING STITCH)	-	-	-	-	-	-	-	-	X	X
17	276328	DISC NBR 28 (COMB STITCH)	-	-	-	-	-	X	-	X	X	X
17	276329	DISC NBR 29 (PAVILLON STITCH)	-	-	-	-	-	X	-	X	X	X
17	276330	DISC NBR 30 (PLATFORM STITCH)	-	-	-	-	-	-	-	-	X	X
17	276337	DISC NBR 37 (ALPINE STITCH)	-	-	-	-	-	-	-	-	X	X
17	171340	DISC NBR 3/350 (BLIND STITCH)	-	-	-	-	X	X	-	X	X	X
17	171342	DISC NBR 8/352 (SOLID SCALLOP STITCH)	-	-	X	X	X	X	-	X	X	X
17	171341	DISC NBR 31/351 (CRESCENT STITCH)	-	-	-	-	-	X	-	X	X	X
18	357004-001	OIL CONTAINNER	0	X	0	0	0	0	X	0	X	X

**2600 series.  
P/N 357671-001**

**Adopt.**



ARM, BED, THROAT PLATE & BED SLIDE



From the library of: Diamond Needle Corp

REV: \_\_\_\_\_  
DATE: DEC/98

**PART LIST**  
**ARM,BED, THROAT PLATE & BED SLIDE**

**2 2 2 2 2 2 2 2 2 2**  
**6 6 6 6 6 6 6 6 6 6**  
**0 0 0 0 0 1 1 2 3 4**  
**1 2 3 4 5 5 6 8 0 3**

**REF. PART NBR. DESCRIPTION**

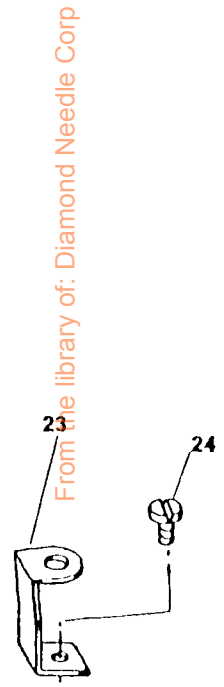
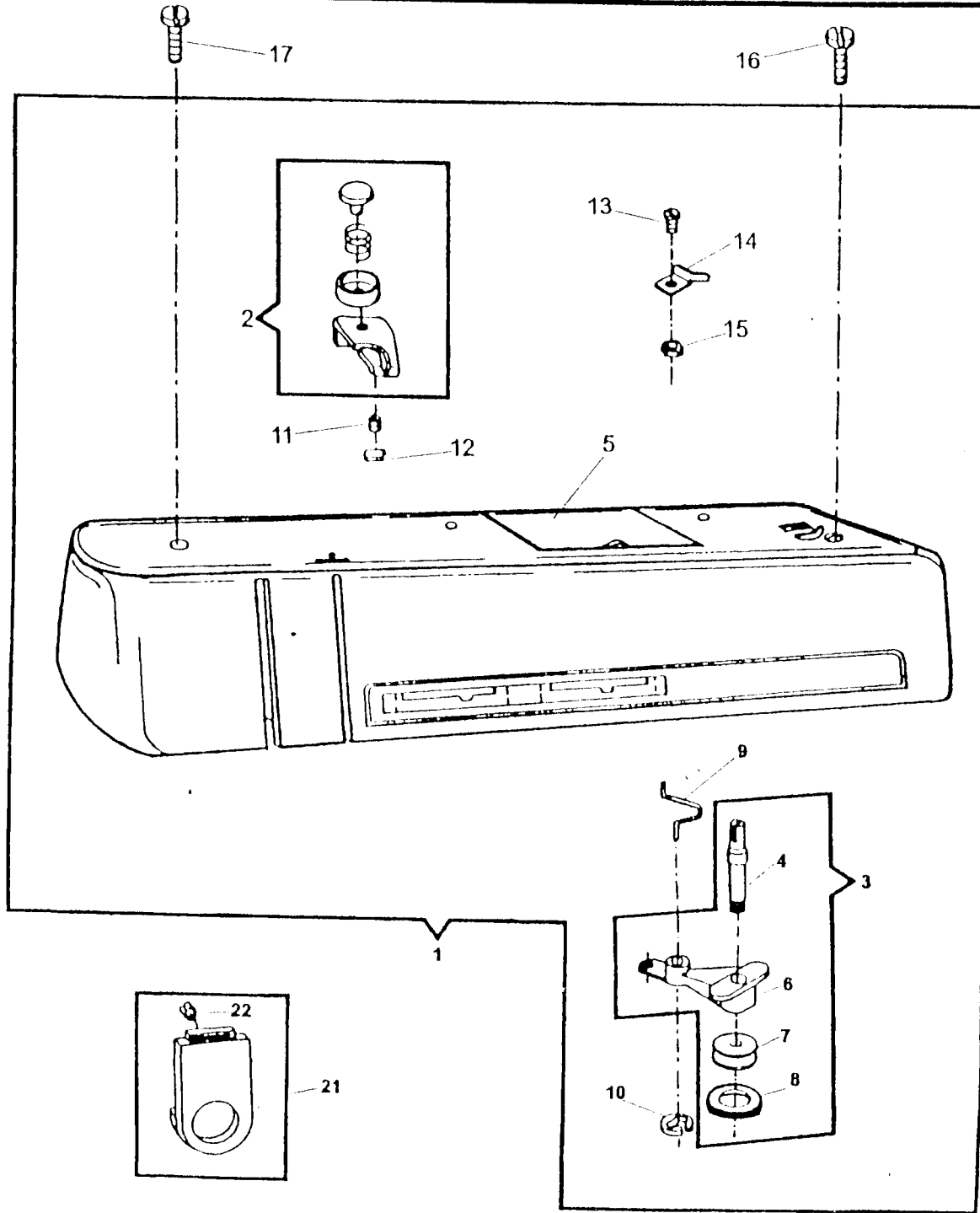
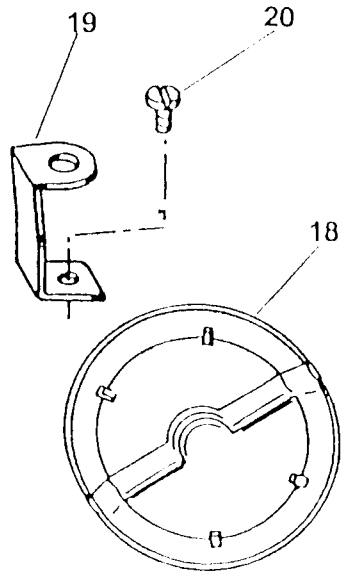
01	179926	THROAT PLATE CLAMP SPRING RETAINING RING	X	X	X	X	X	X	X	X	X	X	X	X
02	357611	THROAT PLATE CLAMP SPRING	X	X	X	X	X	X	X	X	X	X	X	X
03	357445	THROAT PLATE CLAMP	X	X	X	X	X	X	X	X	X	X	X	X
04	356713	THROAT PLATE FOR ZIG-ZAG SEWING	X	X	X	X	X	X	X	X	X	X	X	X
05	179982	BED SLIDE	X	X	X	X	X	X	X	X	X	X	X	X
06	446482	BED SLIDE SPRING	X	X	X	X	X	X	X	X	X	X	X	X
07	113455-006	ARM SHAFT (REAR) HOUSING MOUNTING SCREW	X	X	X	X	X	X	X	X	X	X	X	X
08	357017-002	ARM SHAFT (REAR) HOUSING ASSEMBLY	X	X	X	X	X	X	X	X	X	X	X	X
09	353360-45X	ARM INSERT MOTOR VENT GRILL	X	X	X	X	X	X	X	X	X	X	X	X
10	357020-451	ARM SHAFT (REAR) HOUSING MOUNTING BOLT	X	X	X	X	X	X	X	X	X	X	X	X
13	353559-451	BED CUSHION (OPTIONAL)	X	X	X	X	X	X	X	X	X	X	X	X
14	353624	THROAT PLATE POSITION PIN	X	X	X	X	X	X	X	X	X	X	X	X
15	357438-001	TENSION RELEASING LEVER HINGE PIN	X	X	X	X	X	X	X	X	X	X	X	X
16	446375	THREAD TAKE-UP LEVER LINK HINGE STUD	X	X	X	X	X	X	X	X	X	X	X	X
19	514608	ARM SHAFT (REAR) HOUSING MOUNTING BOLT NUT	X	X	X	X	X	X	X	X	X	X	X	X
20	357464-002	TENSION RELEASING LEVER HINGE PIN WASHER	X	X	X	X	X	X	X	X	X	X	X	X

From the library of: Diamond Needle Corp

**2600 series.**  
**P/N 357671-001**

**Adopt.**

ARM TOP COVER



From the library of: Diamond Needle Corp

REV: \_\_\_\_\_  
DATE: DEC/98

**PART LIST  
ARM TOP COVER**

**2 2 2 2 2 2 2 2 2 2  
6 6 6 6 6 6 6 6 6  
0 0 0 0 0 1 1 2 3 4  
1 2 3 4 5 5 6 8 0 3**

**REF. PART NBR. DESCRIPTION**

01	357383-XXX	ARM TOP COVER COMPLETE	-	-	-	-	-	-	-	-	-	-	-	-	-	-	-	-	-
01	356827-XXX	ARM TOP COVER COMPLETE (GRAY)	-	-	-	-	-	-	-	-	-	-	-	-	-	-	-	-	-
02	356047	BOBBIN WINDER TENSION COMPLETE	X	X	X	X	X	X	X	X	X	X	X	X	X	X	X	X	X
03	531767-452	BOBBIN WINDER ASSEMBLY	X	X	X	X	X	X	X	X	X	X	X	X	X	X	X	X	X
04	357081-452	BOBBIN WINDER SPINDLE COMPLETE	X	X	X	X	X	X	X	X	X	X	X	X	X	X	X	X	X
05	356781-903	ARM TOP COVER LID	X	X	X	X	X	X	X	X	X	X	X	X	X	X	X	X	X
06	357082-452	BOBBIN WINDER FRAME	X	X	X	X	X	X	X	X	X	X	X	X	X	X	X	X	X
07	44440-001	BOBBIN WINDER PULLEY	X	X	X	X	X	X	X	X	X	X	X	X	X	X	X	X	X
08	15287-701	BOBBIN WINDER FRICTION RING	X	X	X	X	X	X	X	X	X	X	X	X	X	X	X	X	X
09	531766	BOBBIN WINDER SPRING	X	X	X	X	X	X	X	X	X	X	X	X	X	X	X	X	X
10	445486	BOBBIN WINDER RETAINING RING	X	X	X	X	X	X	X	X	X	X	X	X	X	X	X	X	X
11	141936-833	BOBBIN WINDER TENSION BRACKET ADJUSTING SCREW	X	X	X	X	X	X	X	X	X	X	X	X	X	X	X	X	X
12	44794	BOBBIN WINDER TENSION BRACKET ADJUSTING SCREW RET. CLIP	X	X	X	X	X	X	X	X	X	X	X	X	X	X	X	X	X
13	141920-455	BOBBIN WINDER STOP SCREW	X	X	X	X	X	X	X	X	X	X	X	X	X	X	X	X	X
14	445924	BOBBIN WINDER STOP	X	X	X	X	X	X	X	X	X	X	X	X	X	X	X	X	X
15	53640-819	BOBBIN WINDER STOP SCREW NUT	X	X	X	X	X	X	X	X	X	X	X	X	X	X	X	X	X
16	354895-453	ARM TOP COVER MOUNTING SCREW (RIGHT)	X	X	X	X	X	X	X	X	X	X	X	X	X	X	X	X	X
17	354895-453	ARM TOP COVER MOUNTING SCREW (LEFT)	X	X	X	X	X	X	X	X	X	X	X	X	X	X	X	X	X
18	356789-901	ARM TOP COVER RECEPTACLE BOTTOM COVER	X	X	-	-	-	-	-	-	-	-	-	-	-	-	-	-	-
19	356178	ARM TOP COVER MOUNTING BRACKET (RIGHT)	X	X	X	X	X	X	X	X	X	X	X	X	X	X	X	X	X
20	113455-001	ARM TOP COVER MOUNTING BRACKET SCREW	X	X	X	X	X	X	X	X	X	X	X	X	X	X	X	X	X
21	356843-454	ARM TOP COVER SHROUDER	X	X	X	X	X	X	X	X	X	X	X	X	X	X	X	X	X
22	356127	ARM TOP COVER SHROUDED RETAINING RING	X	X	X	X	X	X	X	X	X	X	X	X	X	X	X	X	X
23	531765	ARM TOP COVER MOUNTING BRACKET (LEFT)	X	X	X	X	X	X	X	X	X	X	X	X	X	X	X	X	X
24	354826-451	ARM TOP COVER MOUNTING BRACKET (LEFT) SCREW	X	X	X	X	X	X	X	X	X	X	X	X	X	X	X	X	X

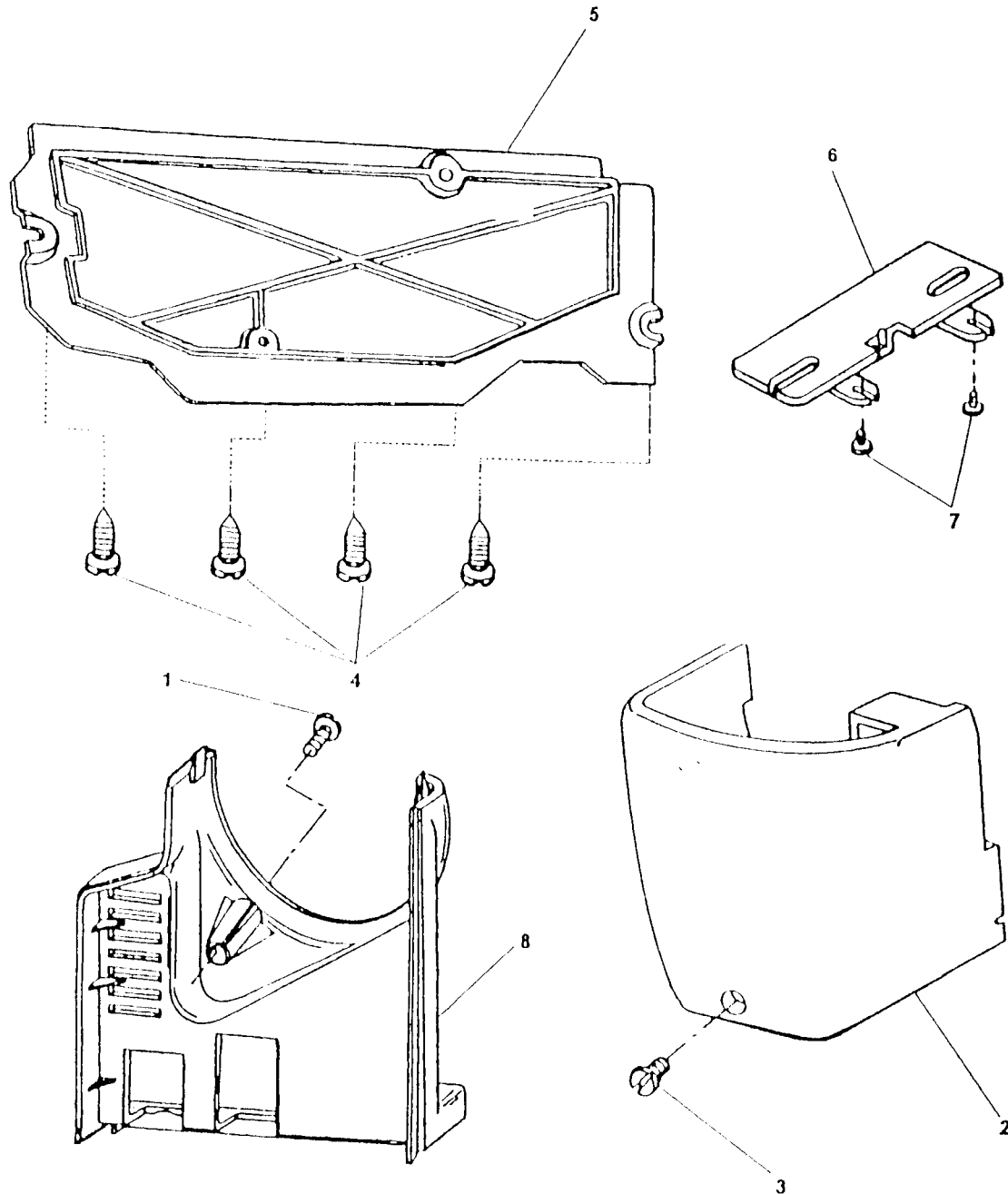
From the part of the top text

**NOTE:** PLEASE WHEN NEED THE PART(-----XXX), INDICATE THE MACHINE MODEL WHERE WILL BE USED.

**2600 series.  
P/N 357671-001**

**Adopt.**

COVERS & ADD-ONS



From the library of: Diamond Needle Corp

REV: \_\_\_\_\_  
DATE: DEC/98

**PART LIST  
COVERS & ADD-ONS**

2 2 2 2 2 2 2 2 2 2  
6 6 6 6 6 6 6 6 6 6  
0 0 0 0 0 1 1 2 3 4  
1 2 3 4 5 5 6 8 0 3

**REF. PART NBR. DESCRIPTION**

01	364063-451	ARM END COVER SCREW	X	X	X	X	X	X	X	X	X	X	X
02	356806-XXX	FACE PLATE COMPLETE	X	X	X	X	X	X	X	X	X	X	X
02	356879-XXX	FACE PLATE COMPLETE (WITH GRILLE)	X	X	X	X	X	X	X	X	X	X	X
03	354133-453	FACE PLATE SCREW	X	X	X	X	X	X	X	X	X	X	X
04	113455-001	BED (BOTTOM) COVER FASTENING SCREW (OPTIONAL)	X	X	X	X	X	X	X	X	X	X	X
05	357356	UNDER BED COVER (OPTIONAL)	X	X	X	X	X	X	X	X	X	X	X
06	446263-455	BED EXTENSION PLATE	X	X	X	X	X	X	X	X	X	X	X
07	113455-003	BED EXTENSION PLATE SCREW	X	X	X	X	X	X	X	X	X	X	X
08	356757-962	ARM END COVER (110V)	X	X	X	X	X	X	X	X	X	X	X
08	356757-963	ARM END COVER (220V)	X	X	X	X	X	X	X	X	X	X	X

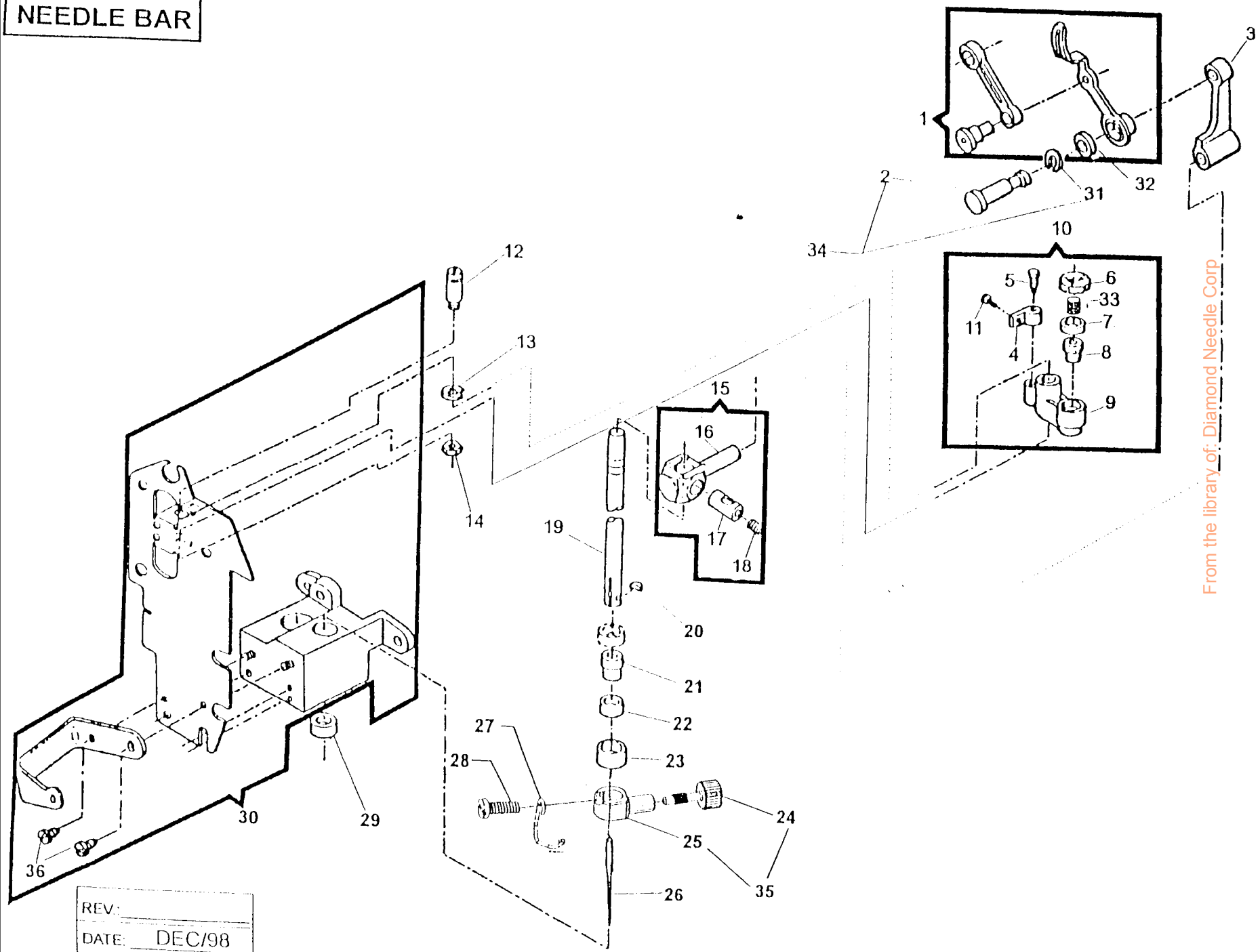
From the library of: Diamond Needle Corp.

**NOTE:** PLEASE WHEN NEED THE PART(-----XXX), INDICATE THE MACHINE MODEL WHERE WILL BE USED.

**2600 series.  
P/N 357671-001**

**Adopt.**

NEEDLE BAR



From the library of: Diamond Needle Corp

REV: \_\_\_\_\_  
DATE: DEC/98

**PART LIST  
NEEDLE BAR**

**2 2 2 2 2 2 2 2 2 2  
6 6 6 6 6 6 6 6 6 6  
0 0 0 0 0 1 1 2 3 4  
1 2 3 4 5 5 6 8 0 3**

**REF. PART NBR. DESCRIPTION**

01	445672	THREAD TAKE-UP LEVER COMPLETE	X	X	X	X	X	X	X	X	X	X	X
02	446260	THREAD TAKE-UP STUD	X	X	X	X	X	X	X	X	X	X	X
03	446357	NEEDLE BAR CONNECTING LINK	X	X	X	X	X	X	X	X	X	X	X
04	446190	NEEDLE BAR DRIVING ARM HINGE BRACKET	X	X	X	X	X	X	X	X	X	X	X
05	37935	NEEDLE BAR DRIVING ARM HINGE BRACKET HINGE PIN	X	X	X	X	X	X	X	X	X	X	X
06	353522-001	NEEDLE BAR BALL BUSHING (UPPER) RETAINING RING	X	X	X	X	X	X	X	X	X	X	X
07	357615	NEEDLE BAR BALL BUSHING (UPPER) SOCKET (LOWER)	X	X	X	X	X	X	X	X	X	X	X
08	446355-940	NEEDLE BAR BALL BUSHING (UPPER)	X	X	X	X	X	X	X	X	X	X	X
09	353521	NEEDLE BAR VIVRATING BRACKET	X	X	X	X	X	X	X	X	X	X	X
10	353520-001	NEEDLE BAR VIBRATING BRACKET COMPLETE	X	X	X	X	X	X	X	X	X	X	X
11	354826-451	NEEDLE BAR DRIVING ARM HINGE BRACKET SCREW	X	X	X	X	X	X	X	X	X	X	X
12	446359	NEEDLE BAR VIBRATING BRACKET HINGE PIN	X	X	X	X	X	X	X	X	X	X	X
13	445721	NEEDLE BAR VIBRATING BRACKET HINGE PIN RETAINING RING	X	X	X	X	X	X	X	X	X	X	X
14	357093-451	NEEDLE BAR VIBRATING BRACKET HINGE PIN NUT	X	X	X	X	X	X	X	X	X	X	X
15	353549-940	NEEDLE BAR CONNECTING STUD WITH HINGE PIN	X	X	X	X	X	X	X	X	X	X	X
16	353549	NEEDLE BAR CONNECTING STUD	X	X	X	X	X	X	X	X	X	X	X
17	37931	NEEDLE BAR CONNECTING STUD HINGE PIN	X	X	X	X	X	X	X	X	X	X	X
18	141916-833	NEEDLE BAR CLAMPING SCREW	X	X	X	X	X	X	X	X	X	X	X
19	445793	NEEDLE BAR	X	X	X	X	X	X	X	X	X	X	X
20	37943	NEEDLE BAR GIB	X	X	X	X	X	X	X	X	X	X	X
21	446355-001	NEEDLE BAR BALL BUSHING (LOWER)	X	X	X	X	X	X	X	X	X	X	X
22	507379	NEEDLE BAR BALL BUSHING (LOWER) SOCKET	X	X	X	X	X	X	X	X	X	X	X
23	446361-001	NEEDLE BAR BALL BUSHING (LOWER) ADJUSTING COLLAR	X	X	X	X	X	X	X	X	X	X	X
24	355248-451	NEEDLE THUMB SCREW	X	X	X	X	X	X	X	X	X	X	X
25	357429	NEEDLE CLAMP BODY	X	X	X	X	X	X	X	X	X	X	X
26	204514-100	NEEDLE 2045 SIZE 14	X	X	X	X	X	X	X	X	X	X	X
27	357421	NEEDLE CLAMP THREAD GUIDE	X	X	X	X	X	X	X	X	X	X	X
28	141920-455	NEEDLE CKAMP BODY, NEEDLE CLAMP THREAD GUIDE & NEEDLE STOP SCREW	X	X	X	X	X	X	X	X	X	X	X
29	44450	NEEDLE BAR BALL BUSHING (LOWER) SOCKET (UPPER)	X	X	X	X	X	X	X	X	X	X	X
30	357360	NEEDLE BAR, PRESSER BAR & VIBRATING BRACKET HOUSING ASSEMBLY	-	X	X	X	X	X	X	X	X	X	X
30	357361	NEEDLE BAR, PRESSER BAR & VIBRATING BRACKET HOUSING ASSEMBLY	X	-	-	-	-	-	-	-	-	-	-

From the library of: Diamond Needle Corp

**2600 series.  
P/N 357671-001**

**Adopt.**



**PART LIST  
NEEDLE BAR(CONT.)**

2 2 2 2 2 2 2 2 2 2  
6 6 6 6 6 6 6 6 6 6  
0 0 0 0 0 1 1 2 3 4  
1 2 3 4 5 5 6 8 0 3

**REF. PART NBR. DESCRIPTION**

31	445486	THREAD TAKE-UP STUD RETAINING RING	X	X	X	X	X	X	X	X	X	X
32	543531	THREAD TAKE-UP STUD THRUST WASHER	X	X	X	X	X	X	X	X	X	X
33	357616	NEEDLE BAR BALL BUSHING (UPPER) WAVED WASHER	X	X	X	X	X	X	X	X	X	X
34	446261	THREAD TAKE-UP STUD WITH RING	X	X	X	X	X	X	X	X	X	X
35	357430	NEEDLE CLAMP BODY WITH SCREW	X	X	X	X	X	X	X	X	X	X
36	113480-451	NEEDLE BAR, PRESSER BAR & VIBRATING BRACKET HOUSING PLATE MOUNTING SCREW	X	X	X	X	X	X	X	X	X	X

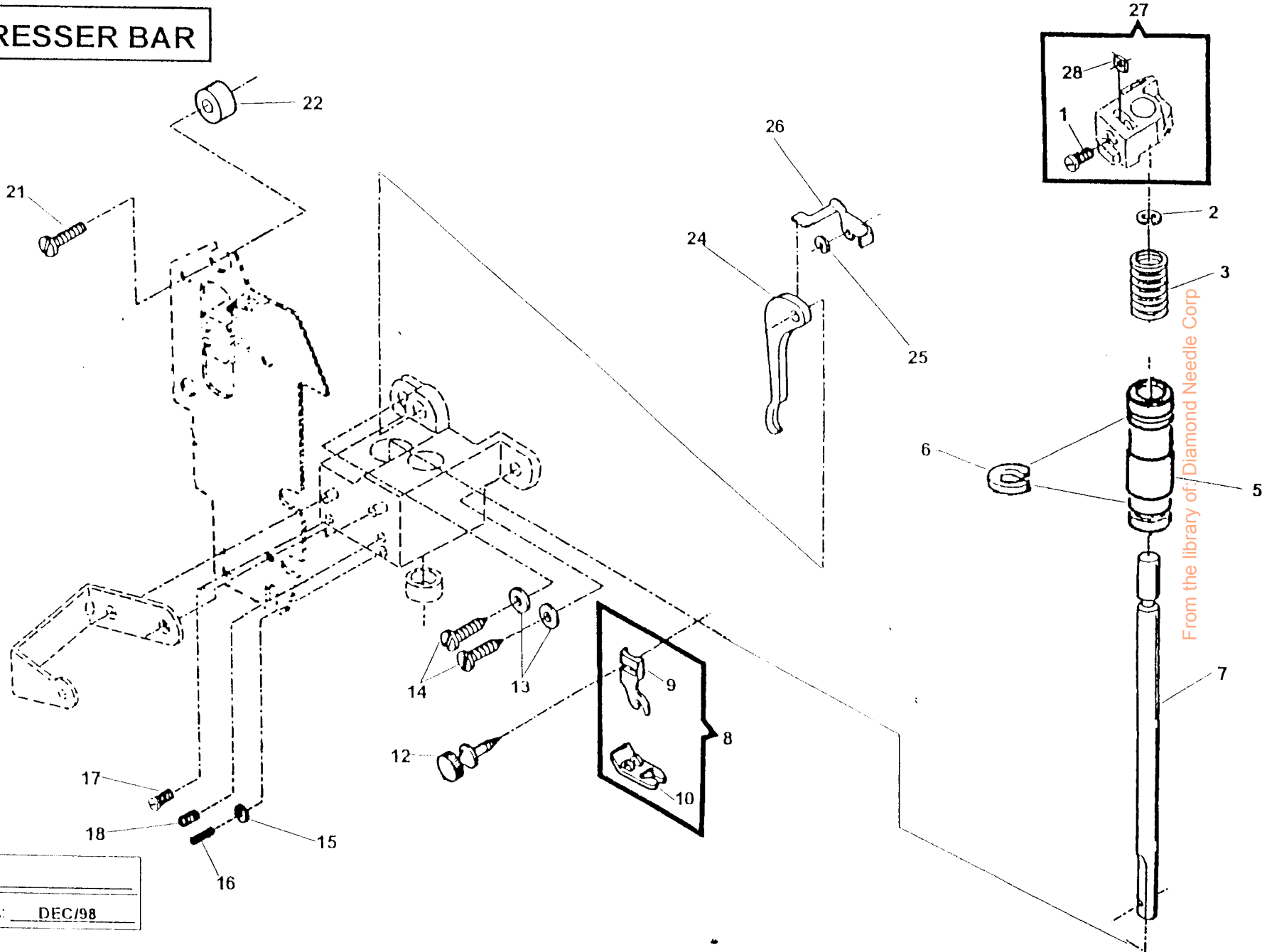
From the library of: Diamond Needle Corp

<u>REF</u>	<u>NEW</u>	<u>IN REPLACE OF</u>	<u>DATE</u>
28	141920-455		
30	357360	141920-453	10/21/1997
30	357361	356599	01/26/1998
		356602	01/26/1998

**2600 series.  
P/N 357671-001**

**Adopt.**

# PRESSER BAR



REV: \_\_\_\_\_  
DATA: DEC/98

**PART LIST  
PRESSER BAR**

**2 2 2 2 2 2 2 2 2 2  
6 6 6 6 6 6 6 6 6 6  
0 0 0 0 0 1 1 2 3 4  
1 2 3 4 5 5 6 8 0 3**

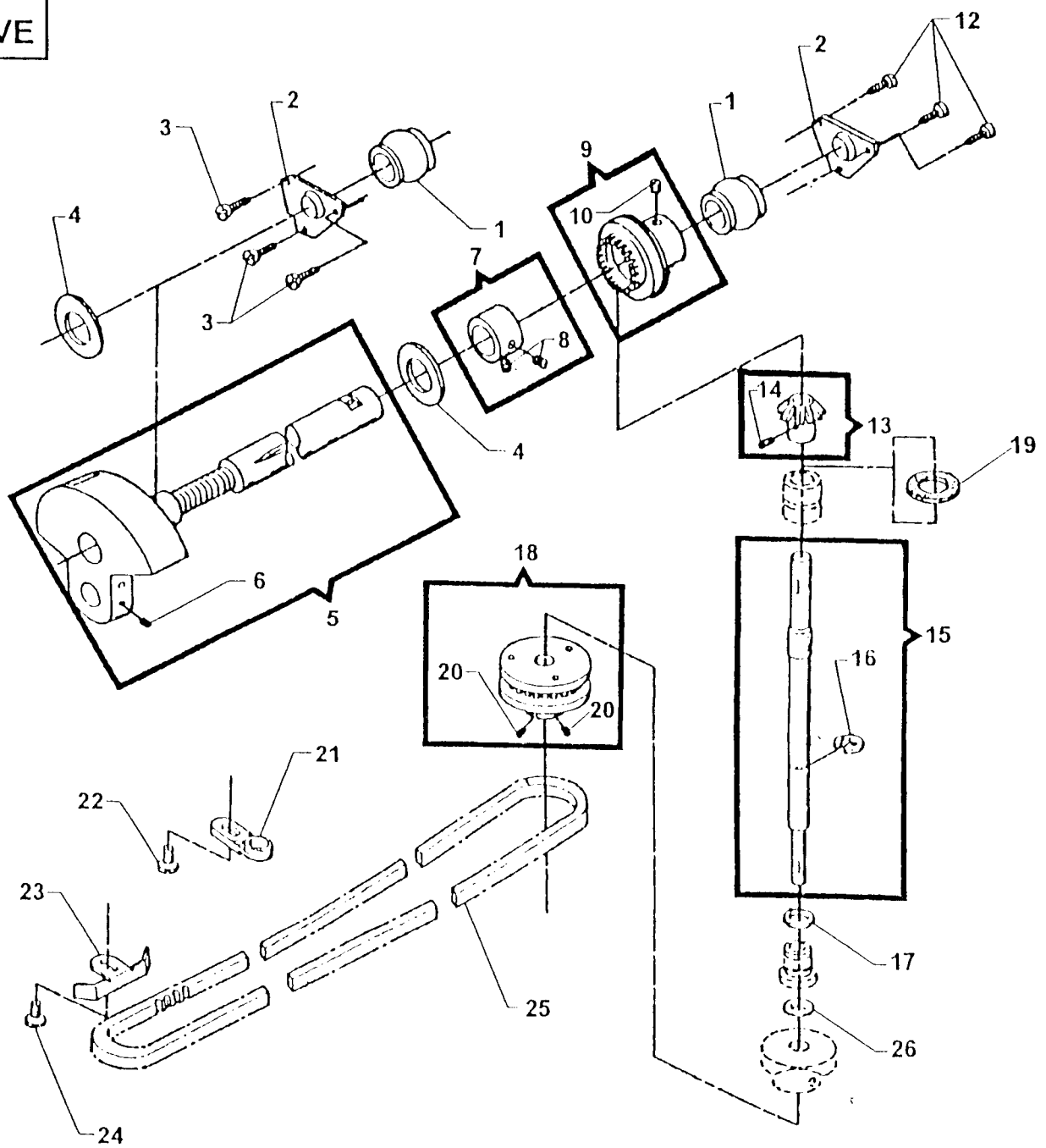
REF. PART NBR.	DESCRIPTION										
01	355279-451	PRESSER BAR GUIDE BRACKET SET SCREW	X	X	X	X	X	X	X	X	X
02	353215	PRESSER BAR SPRING RETAINING RING (UPPER)	X	X	X	X	X	X	X	X	X
03	357362	PRESSER BAR SPRING	X	X	X	X	X	X	X	X	X
04	357604	PRESSER BAR SPRING RETAINING RING	X	X	X	X	X	X	X	X	X
05	445947-001	PRESSER BAR BUSHING	X	X	X	X	X	X	X	X	X
06	357604	PRESSER BAR BUSHING LOCATING RING	X	X	X	X	X	X	X	X	X
07	357602	PRESSER BAR	X	X	X	X	X	X	X	X	X
08	446372	PRESSER FOOT (SNAP-ON) COMPLETE FOR ZIG-ZAG SEWING	X	X	X	X	X	X	X	X	X
09	155964	PRESSER FOOT SHANK (SNAP-ON)	X	X	X	X	X	X	X	X	X
10	446371	PRESSER FOOT PLATE (SNAP-ON) FOR ZIG-ZAG SEWING	X	X	X	X	X	X	X	X	X
12	354135-452	PRESSER FOOT THUMB SCREW	X	X	X	X	X	X	X	X	X
13	353375-451	NEEDLE BAR, PRESSER BAR & VIBRATING BRACKET HOUSING MOUNTING SCREW (LOWER) WASHER	X	X	X	X	X	X	X	X	X
14	113434-451	NEEDLE BAR, PRESSER BAR & VIBR. BRAC. HOUSING MOUNT. SCREW (LOWER)	X	X	X	X	X	X	X	X	X
15	54591-451	NEEDLE BAR OVER THROW SET SCREW NUT	X	X	X	X	X	X	X	X	X
16	354993-451	NEEDLE BAR OVER THROW SET SCREW	X	X	X	X	X	X	X	X	X
17	354906-451	PRESSER BAR BUSHING SET SCREW	X	X	X	X	X	X	X	X	X
18	141938-833	NEEDLE BAR BALL BUSHING (LOWER) ADJUSTING COLLAR SET SCREW	X	X	X	X	X	X	X	X	X
19	113455-009	NEEDLE BAR & PRESSER BAR VIBRAT. BRAC. HOUSING MOUNT. SCREW (UPPER)	X	X	X	X	X	X	X	X	X
20	531627	NEEDLE BAR, PRESSER BAR & VIBRATING BRACKET HOUSING MOUNT. BUSHING	X	X	X	X	X	X	X	X	X
24	356170-451	PRESSER BAR LIFTER	X	X	X	X	X	X	X	X	X
25	445486	TENSION RELEASING LEVER RETAINING RING	X	X	X	X	X	X	X	X	X
26	445925	TENSION RELEASING LEVER	X	X	X	X	X	X	X	X	X
27	357363	PRESSER BAR GUIDE BRACKET ASSEMBLY	X	X	X	X	X	X	X	X	X
28	353367-451	PRESSER BAR GUIDE BRACKET NUT	X	X	X	X	X	X	X	X	X

From the library of: Diamond Needle Corp

REF.	NEW	IN REPLACE OF	DATE
01	3557279-451	141938-833	01/26/1998
03	357362-000	353214	01/26/1998
07	357602	314638	01/26/1998
18	141938-833	355279-451	01/26/1998
19	-----	446353	01/26/1998
20	-----	141913-451	01/26/1998
27	357363	353212	01/26/1998
28	357367-451	-----	01/26/1998

2600 series.  
P/N 357671-001

# ARM SHAFT DRIVE



From the library of: Diamond Needle Corp

REV: \_\_\_\_\_  
DATE: DEC/98

**PART LIST**  
**ARM SHAFT DRIVE**

**2 2 2 2 2 2 2 2 2 2**  
**6 6 6 6 6 6 6 6 6 6**  
**0 0 0 0 0 1 1 2 3 4**  
**1 2 3 4 5 5 6 8 0 3**

**REF. PART NBR. DESCRIPTION**

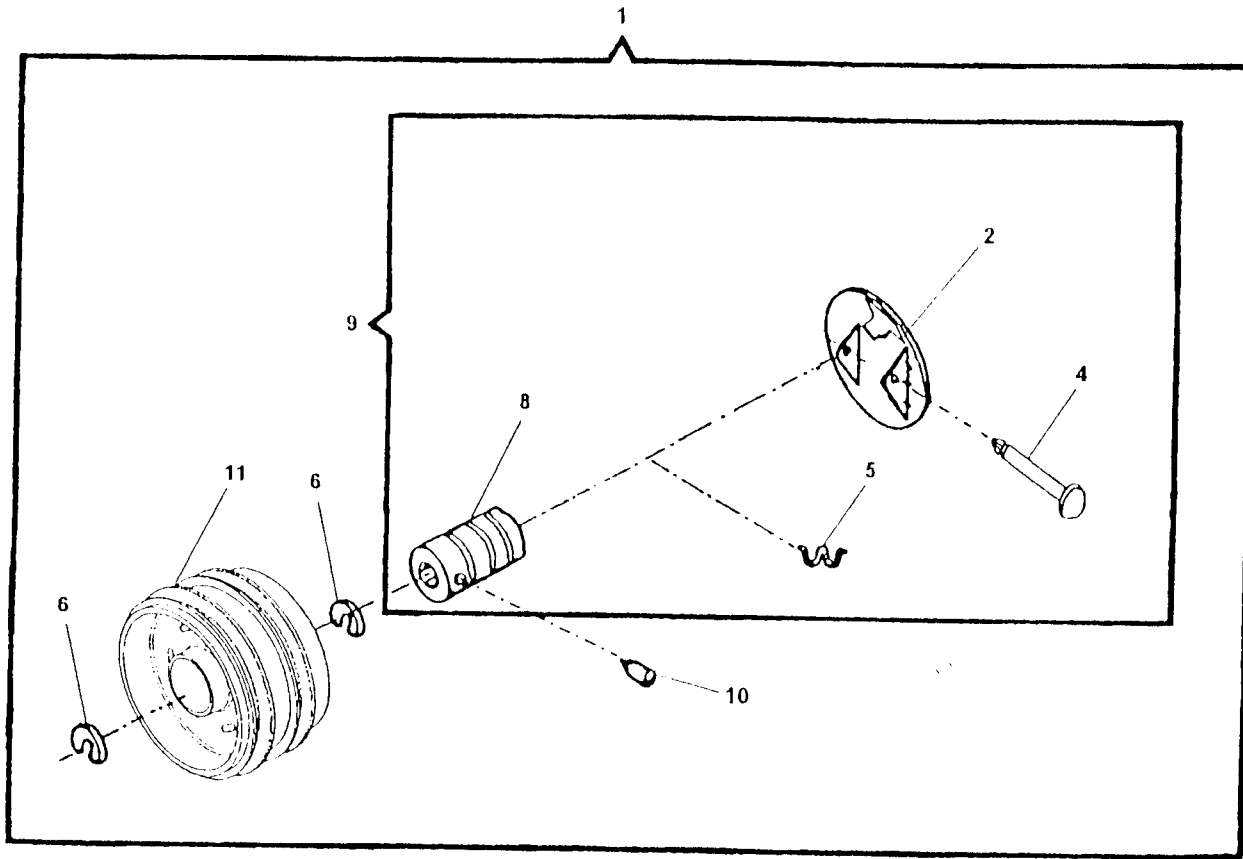
01	446384	ARM SHAFT BUSHING (FRONT)	X	X	X	X	X	X	X	X	X	X	X	X	X	X	X	X	X
02	446385	ARM SHAFT BUSHING (FRONT) RETAINING BRACKET	X	X	X	X	X	X	X	X	X	X	X	X	X	X	X	X	X
03	113455-001	ARM SHAFT BUSHING (FRONT) RETAINING BRACKET SCREW	X	X	X	X	X	X	X	X	X	X	X	X	X	X	X	X	X
04	319764	ARM SHAFT (HORIZONTAL) RETAINING COLLAR WASHER	X	X	X	X	X	X	X	X	X	X	X	X	X	X	X	X	X
05	531684	ARM SHAFT COMPLETE	X	X	X	X	X	X	X	X	X	X	X	X	X	X	X	X	X
06	354105-833	NEEDLE BAR CRANK POSITION SET SCREW	X	X	X	X	X	X	X	X	X	X	X	X	X	X	X	X	X
07	353580	ARM SHAFT (HORIZONTAL) RETAINING COLLAR	X	X	X	X	X	X	X	X	X	X	X	X	X	X	X	X	X
08	113500-451	ARM SHAFT (HORIZONTAL) RETAINING COLLAR SET SCREW	X	X	X	X	X	X	X	X	X	X	X	X	X	X	X	X	X
09	353272	ARM SHAFT (HORIZONTAL) BEVEL GEAR & FEED LIFTING (ECCENTRIC) COMPLETE	X	X	X	X	X	X	X	X	X	X	X	X	X	X	X	X	X
10	354813-451	ARM SHAFT (HORIZONTAL) BEVEL GEAR & FEED LIFTING (ECCENTRIC) SET SCREW	X	X	X	X	X	X	X	X	X	X	X	X	X	X	X	X	X
12	113455-001	ARM SHAFT BUSHING (REAR) RETAINING BRACKET SCREW	X	X	X	X	X	X	X	X	X	X	X	X	X	X	X	X	X
13	353273-002	ARM SHAFT (UPRIGHT) BEVEL GEAR (PLASTIC)	X	X	X	X	X	X	X	X	X	X	X	X	X	X	X	X	X
14	354105-833	ARM SHAFT (UPRIGHT) BEVEL GEAR SET SCREW	X	X	X	X	X	X	X	X	X	X	X	X	X	X	X	X	X
15	179952-002	ARM SHAFT (UPRIGHT) ASSEMBLY	X	X	X	X	X	X	X	X	X	X	X	X	X	X	X	X	X
16	353215	ARM SHAFT (UPRIGHT) RETAINING RING	X	X	X	X	X	X	X	X	X	X	X	X	X	X	X	X	X
17	353394	ARM SHAFT (UPRIGHT) RETAINING RING WASHER	X	X	X	X	X	X	X	X	X	X	X	X	X	X	X	X	X
18	353438-001	ARM SHAFT (UPRIGHT) BELT DRIVE PULLEY	X	X	X	X	X	X	X	X	X	X	X	X	X	X	X	X	X
19	356819	ARM SHAFT (UPRIGHT) BELT WASHER	X	X	X	X	X	X	X	X	X	X	X	X	X	X	X	X	X
20	354906-451	ARM SHAFT (UPRIGHT) BELT DRIVE PULLEY RETAINING COLAR SET SCREW	X	X	X	X	X	X	X	X	X	X	X	X	X	X	X	X	X
21	531630	ROTATING HOOK DRIVE BELT TENSION ADJUSTER	X	X	X	X	X	X	X	X	X	X	X	X	X	X	X	X	X
22	113453-003	ROTATING HOOK DRIVE BELT TENSIONER SCREW	X	X	X	X	X	X	X	X	X	X	X	X	X	X	X	X	X
23	446376	BELT RETAINER (LEFT)	X	X	X	X	X	X	X	X	X	X	X	X	X	X	X	X	X
24	113455-001	BELT RETAINER (LEFT) SCREW	X	X	X	X	X	X	X	X	X	X	X	X	X	X	X	X	X
25	446237	BELT (ROTATING HOOK DRIVE)	X	X	X	X	X	X	X	X	X	X	X	X	X	X	X	X	X
26	319826	ARM SHAFT (UPRIGHT) BELT DRIVE PULLEY WASHER	X	X	X	X	X	X	X	X	X	X	X	X	X	X	X	X	X

From the Key of Starfield Needle Co.

**2600 series.**  
**P/N 357671-001**

**Adopt.**

HAND WHEEL



From the library of: Diamond Needle Corp

REV: \_\_\_\_\_  
DATE: DEC/98

**PART LIST  
HAND WHEEL**

**2 2 2 2 2 2 2 2 2 2  
6 6 6 6 6 6 6 6 6 6  
0 0 0 0 0 1 1 2 3 4  
1 2 3 4 5 5 6 8 0 3**

**REF. PART NBR. DESCRIPTION**

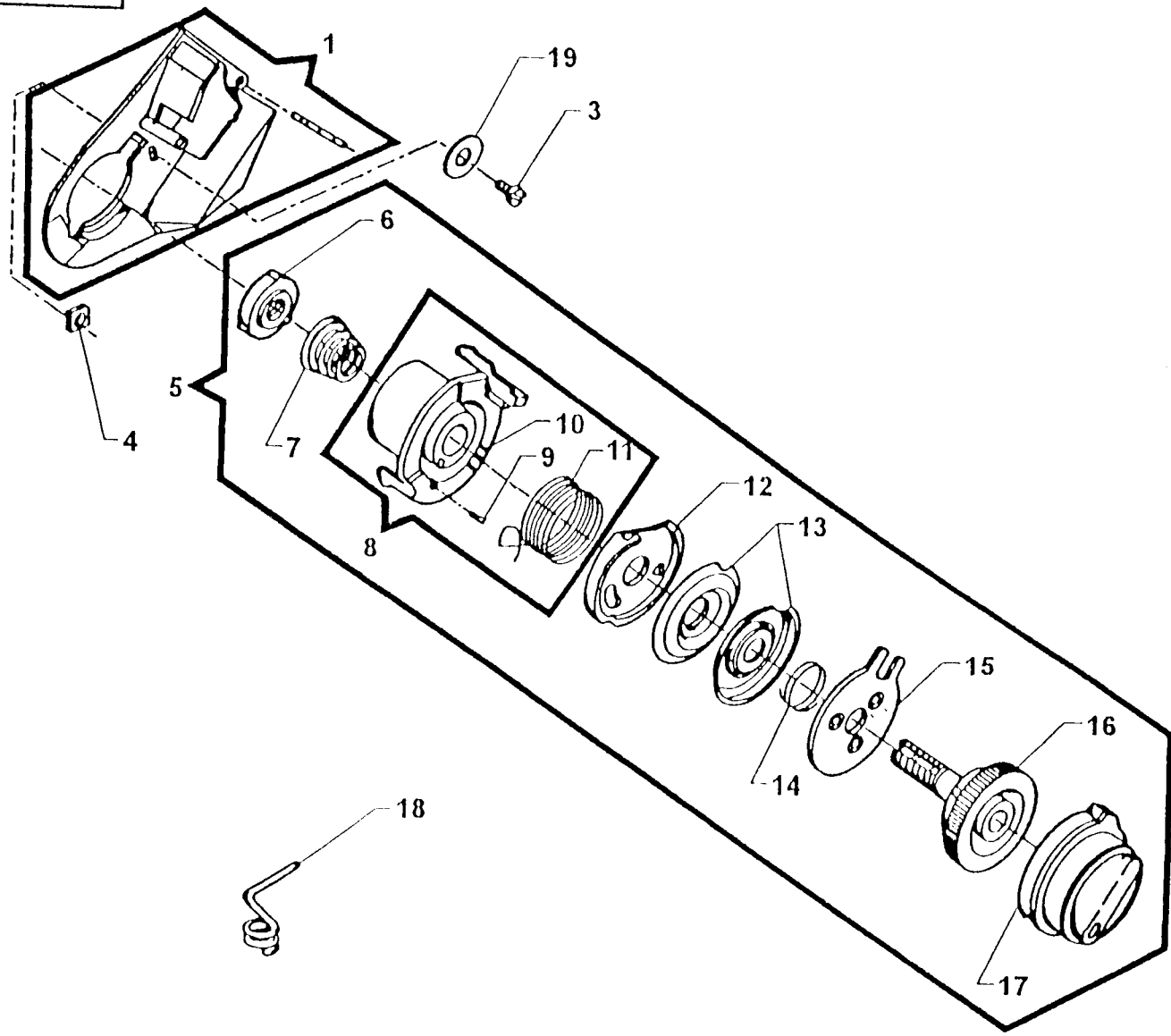
01	357395-451	HAND WHEEL COMPLETE	X	X	X	X	X	X	X	X	X	X	X
02	357367-901	HAND WHEEL DISENGAGING CLUTCH ENGAGING PLATE COVER	X	X	X	X	X	X	X	X	X	X	X
04	357364	HAND WHEEL DISENGAGING CLUTCH ENGAGING PLATE HINGE PIN	X	X	X	X	X	X	X	X	X	X	X
05	357365	HAND WHEEL DISENGAGING CLUTCH ACTUATING SPRING	X	X	X	X	X	X	X	X	X	X	X
06	446387	HAND WHEEL RETAINING RING (TREADLE/ELECTRIC)	X	X	X	X	X	X	X	X	X	X	X
08	357359	HAND WHEEL DISENGAGING CLUTCH BUSHING	X	X	X	X	X	X	X	X	X	X	X
09	357368-452	HAND WHEEL DISENGAGING CLUTCH BUSHING COMPLETE	X	X	X	X	X	X	X	X	X	X	X
10	354813-451	HAND WHEEL DISENGAGING CLUTCH BUSHING SCREW	X	X	X	X	X	X	X	X	X	X	X
11	357396-451	HAND WHEEL (PLASTIC)	X	X	X	X	X	X	X	X	X	X	X

From the library of Diana and Nedley Corp.

**2600 series.  
P/N 357671-001**

**Adopt.**

TENSION MECHANISM



From the library of: Diamond Needle Corp

REV: \_\_\_\_\_  
DATA: DEC/98



**PART LIST**  
**TENSION MECHANISM**

**2 2 2 2 2 2 2 2 2 2**  
**6 6 6 6 6 6 6 6 6 6**  
**0 0 0 0 0 1 1 2 3 4**  
**1 2 3 4 5 5 6 8 0 3**

**REF. PART NBR. DESCRIPTION**

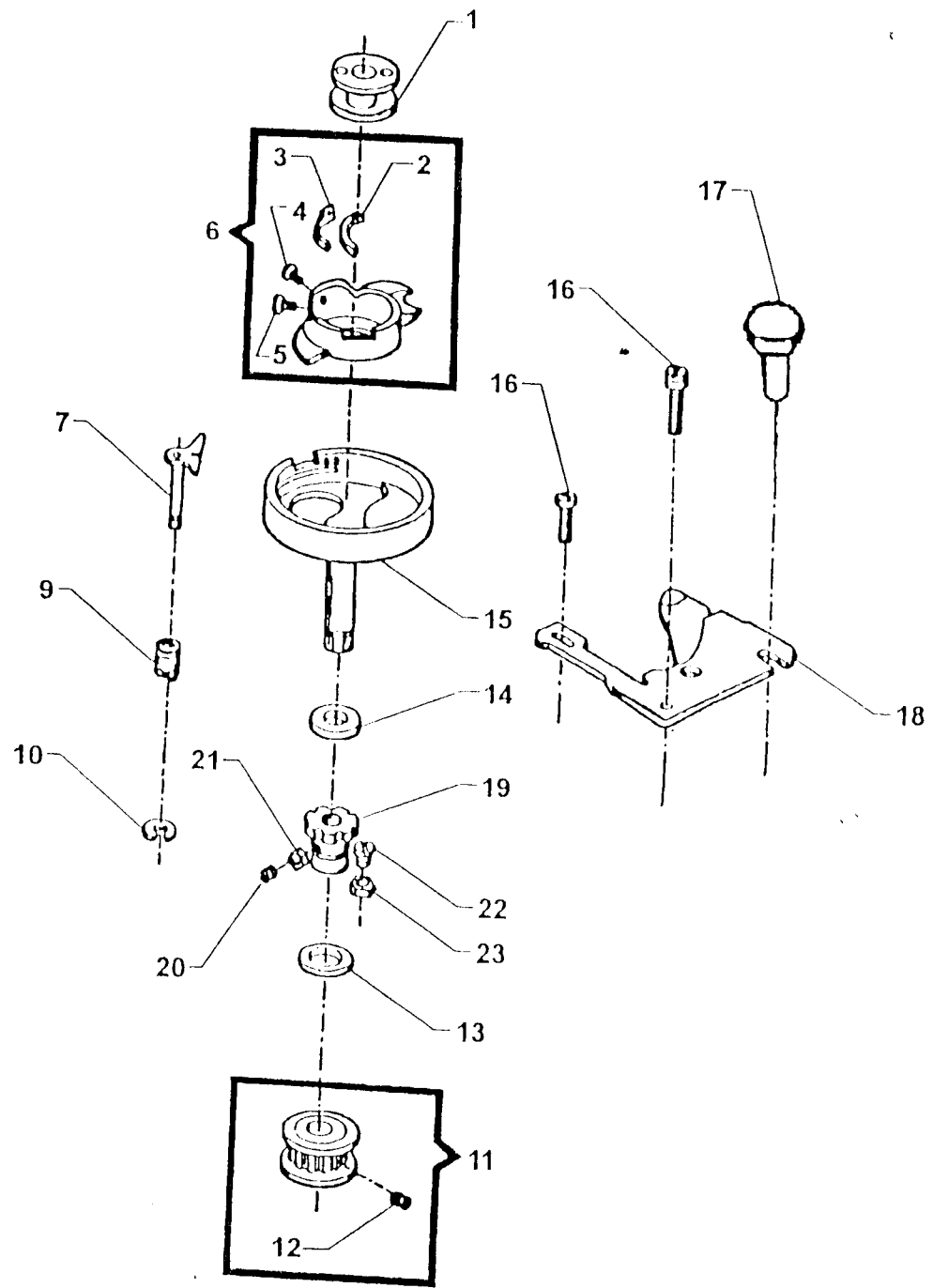
01	356040-452	TENSION MECHANISM SHROUDER ASSEMBLY	X	X	X	X	X	X	X	X	X	X	X
03	141808-457	TENSION THREAD GUIDE SCREW	X	X	X	X	X	X	X	X	X	X	X
04	514698-451	TENSION THREAD GUIDE SCREW NUT	X	X	X	X	X	X	X	X	X	X	X
05	356088-468	TENSION MECHANISM ASSEMBLY (LIGHT BLUE)	-	-	-	-	-	-	X	-	-	-	-
05	356088-457	TENSION MECHANISM ASSEMBLY (WHITE)	X	X	X	X	X	X	-	X	-	-	-
05	356088-469	TENSION MECHANISM ASSEMBLY (BLUE)	-	-	-	-	-	-	X	-	-	-	-
06	356095	TENSION STUD NUT	X	X	X	X	X	X	X	X	X	X	X
07	356096	TENSION SOPRING	X	X	X	X	X	X	X	X	X	X	X
08	356245	TENSION MECHANISM SUPPORT ASSEMBLY	X	X	X	X	X	X	X	X	X	X	X
09	356246-900	TENSION MECHANISM SUPPORT PIN	X	X	X	X	X	X	X	X	X	X	X
10	356089	TENSION MECHANISM SUPPORT	X	X	X	X	X	X	X	X	X	X	X
11	356097	THREAD TAKE-UP SPRING	X	X	X	X	X	X	X	X	X	X	X
12	356091	THREAD TAKE-UP SPRING THREAD GUARD	X	X	X	X	X	X	X	X	X	X	X
13	356094	TENSION DISC	X	X	X	X	X	X	X	X	X	X	X
14	356216	TENSION DISC PRESSURE PLATE SPRING	X	X	X	X	X	X	X	X	X	X	X
15	356177	TENSION DISC PRESSURE PLATE	X	X	X	X	X	X	X	X	X	X	X
16	356092-451	TENSION INDICATOR WITH STUD	X	X	X	X	X	X	X	X	X	X	X
17	356090-468	TENSION INDICATOR DIAL	-	-	-	-	-	-	-	-	-	X	X
17	356090-457	TENSION INDICATOR DIAL	X	X	X	X	X	X	-	X	-	-	-
17	356090-469	TENSION INDICATOR DIAL	-	-	-	-	-	-	X	-	-	-	-
18	445784	THREAD GUIDE (LOWER)	X	X	X	X	X	X	X	X	X	X	X
19	356443	TENSION THREAD GUIDE SCREW WASHER	X	X	X	X	X	X	X	X	X	X	X

From the library of Diamond Axioms Co.

**2600 series.**  
**P/N 357671-001**

**Adopt.**

# HOOK SYSTEM



From the library of: Diamond Needle Corp

REV: \_\_\_\_\_  
DATA: DEC/98

**PART LIST**  
**ROTATING HOOK**

**2 2 2 2 2 2 2 2 2 2**  
**6 6 6 6 6 6 6 6 6 6**  
**0 0 0 0 0 1 1 2 3 4**  
**1 2 3 4 5 5 6 8 0 3**

**REF. PART NBR. DESCRIPTION**

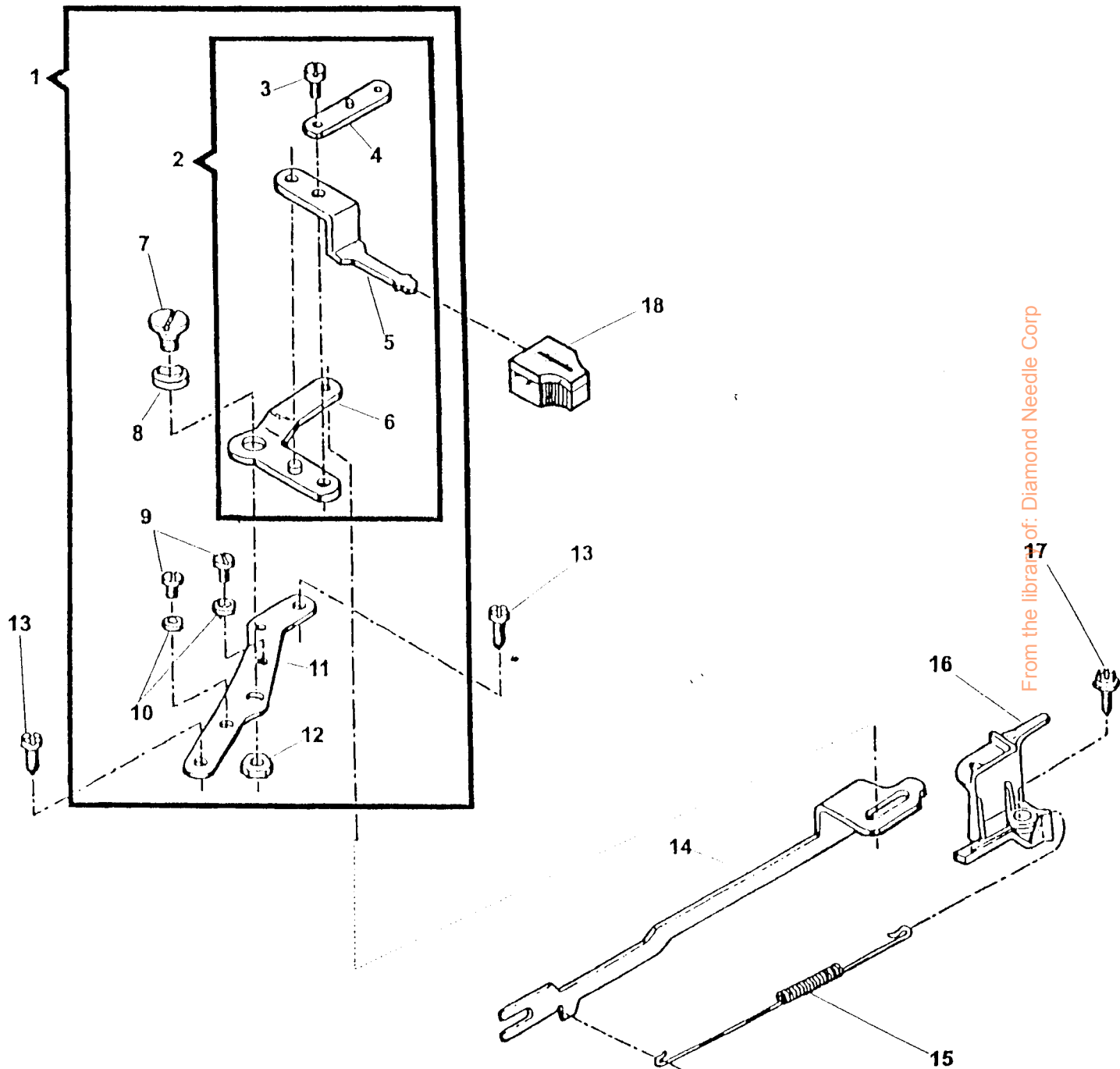
REF. PART NBR.	DESCRIPTION	2	2	2	2	2	2	2	2	2	2	2	2	2	2	2	2	2	2		
01	172336																				
02	356490-451																				
03	314715																				
04	355254-451																				
05	139975-452																				
06	421325																				
07	353511																				
09	44892																				
10	446417																				
11	446235																				
12	141803-451																				
13	382861-906																				
14	353453																				
15	353366																				
16	354917-451																				
17	357349-451																				
18	44873-001																				
19	353410-900																				
20	141938-833																				
21	353367-451																				
22	141844-451																				
23	618638-005																				

From the library of Diamond Needle Corp.

**2600 series.**  
**P/N 357671-001**

**Adopt.**

BIGHT AMPLITUDE



REV: \_\_\_\_\_  
DATA: DEC/98

**PART LIST**  
**BIGHT AMPLITUDE**

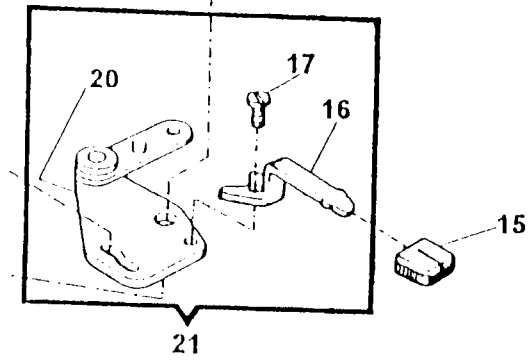
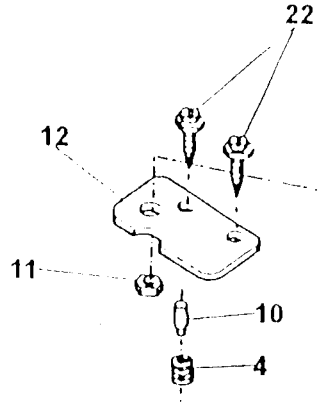
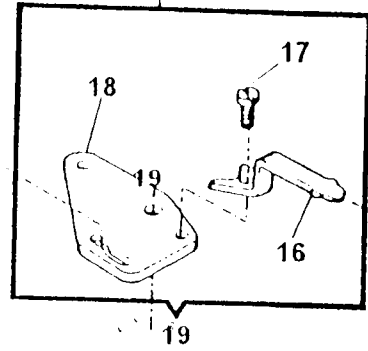
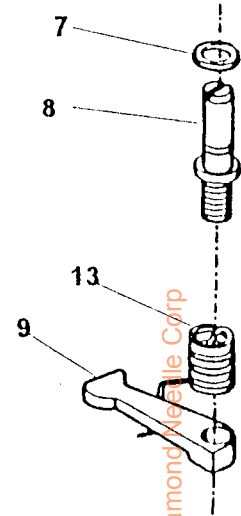
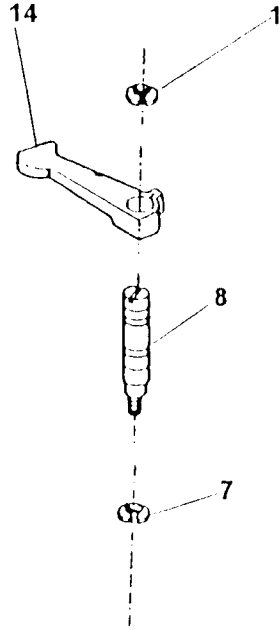
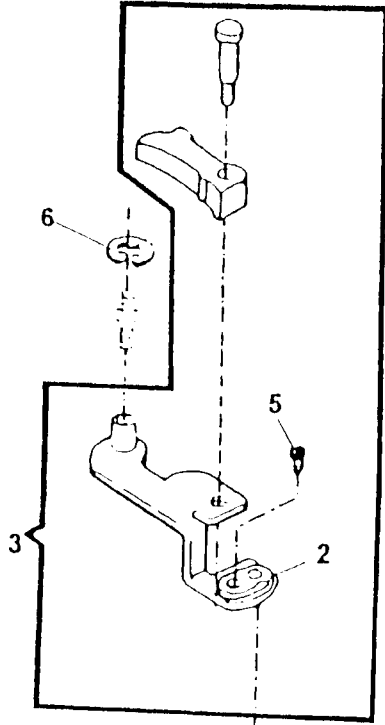
**2 2 2 2 2 2 2 2 2 2**  
**6 6 6 6 6 6 6 6 6 6**  
**0 0 0 0 0 1 1 2 3 4**  
**1 2 3 4 5 5 6 8 0 3**

**REF. PART NBR. DESCRIPTION**

01	446396	BIGHT AMPLITUDE CONTROL LEVER MOUNTING BRACKET COMPLETE	-	X	X	-	-	-	-	-	-	-	-	-	-	-	-	-	-
01	179893	BIGHT AMPLITUDE CONTROL LEVER MOUNTING BRACKET COMPLETE	-	-	-	X	X	X	X	X	X	X	X	X	X	X	X	X	X
02	446395	BIGHT AMPLITUDE CONTROL LEVER SUB-ASSEMBLY	-	X	X	-	-	-	-	-	-	-	-	-	-	-	-	-	-
02	446342	BIGHT AMPLITUDE CONTROL LEVER SUB-ASSEMBLY	-	-	-	X	X	X	X	X	X	X	X	X	X	X	X	X	X
03	141913-451	BIGHT AMPLITUDE CONTROL LEVER SCREW	-	X	X	-	-	-	-	-	-	-	-	-	-	-	-	-	-
03	139866-451	BIGHT AMPLITUDE CONTROL LEVER SCREW	-	-	-	X	X	X	X	X	X	X	X	X	X	X	X	X	X
04	44556	BUTTONHOLER BIGHT CONTROL CAM FOLLOWER LEVER LINK (LEFT)	-	-	-	X	X	X	X	X	X	X	X	X	X	X	X	X	X
05	446394	BIGHT AMPLITUDE CONTROL LEVER	-	X	X	X	X	X	X	X	X	X	X	X	X	X	X	X	X
06	37246	BIGHT AMPLITUDE CONTROL LEVER LINK	-	X	X	X	X	X	X	X	X	X	X	X	X	X	X	X	X
07	354825-451	BIGHT AMPLITUDE CONTROL LEVER LINK HINGE SCREW	-	X	X	X	X	X	X	X	X	X	X	X	X	X	X	X	X
08	49204	BIGHT AMPLITUDE CONTROL LEVER LINK HINGE SCREW FRICTION WASHER	-	X	X	X	X	X	X	X	X	X	X	X	X	X	X	X	X
09	141913-451	BIGHT AMPLITUDE CONTROL LEVER LINK STOP SCREW	-	X	X	X	X	X	X	X	X	X	X	X	X	X	X	X	X
10	446904	BIGHT AMPLITUDE CONTROL LEVER LINK STOP	-	X	X	X	X	X	X	X	X	X	X	X	X	X	X	X	X
11	531793	BIGHT AMPLITUDE CONTROL LEVER MOUNTING BRACKET	-	X	X	X	X	X	X	X	X	X	X	X	X	X	X	X	X
12	54591-451	BIGHT AMPLITUDE CONTROL LEVER LINK HINGE SCREW NUT	-	X	X	X	X	X	X	X	X	X	X	X	X	X	X	X	X
13	113455-001	BIGHT AMPLITUDE CONTROL LEVER MOUNTING BRACKET SCREW	-	X	X	X	X	X	X	X	X	X	X	X	X	X	X	X	X
14	37933-002	NEEDLE BAR DRIVING ARM	-	X	X	X	X	X	X	X	X	X	X	X	X	X	X	X	X
15	37942	NEEDLE BAR DRIVING ARM TENSION SPRING	-	X	X	X	X	X	X	X	X	X	X	X	X	X	X	X	X
16	445780	LIGHT LEAD SHIELD & NEEDLE BAR DRIVING ARM TENSION SPRING MOUNTING PLATE	X	X	X	X	X	X	X	X	X	X	X	X	X	X	X	X	X
17	113455-001	LIGHT LEAD SHIELD & NEEDLE BAR DRIVING ARM TENSION SPRING MOUNTING PLATE SCREW	X	X	X	X	X	X	X	X	X	X	X	X	X	X	X	X	X
18	356961-452	BIGHT AMPLITUDE CONTROL LEVER KNOB (PLASTIC) (GRAY)	-	X	X	X	X	X	X	X	X	X	X	X	X	X	X	X	X
18	356961-451	BIGHT AMPLITUDE CONTROL LEVER KNOB (PLASTIC) (WHITE)	-	X	X	X	X	X	X	X	X	X	X	X	X	X	X	X	X

From the library of: Diamond Needle Corp

NEEDLE POSITION



From the library of: Diamond Needle Corp

REV: \_\_\_\_\_  
 DATE: DEC/98

PART LIST  
NEEDLE POSITION

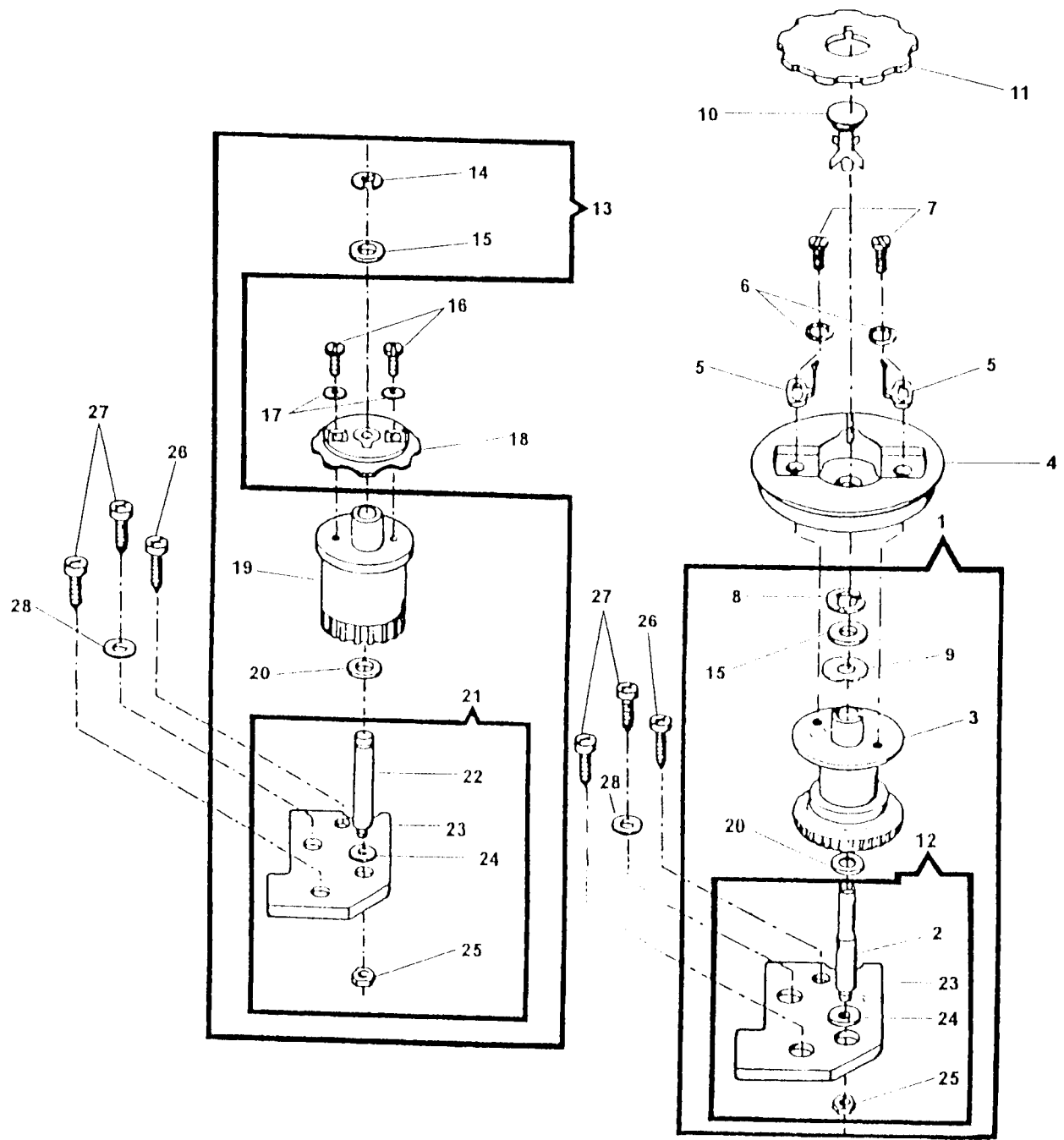
2 2 2 2 2 2 2 2 2 2  
6 6 6 6 6 6 6 6 6 6  
0 0 0 0 0 1 1 2 3 4  
1 2 3 4 5 5 6 8 0 3

REF. PART NBR. DESCRIPTION

01	44371	DISC FOLLOWER STUD RETAINING RING (UPPER)	-	X	X	X	X	X	X	X	X	X	X
02	531736	NEEDLE POSITION SELECTOR BRACKET FOLLOWER STUD ARM ASSEMBLY	-	X	X	X	X	X	X	X	X	X	X
03	356636	NEEDLE BAR DRIVING ARM SLIDE BRACKET COMPLETE	-	X	X	X	X	X	X	X	X	X	X
04	444800	NEEDLE POSITION SELECTOR LEVER BRACKET POSITIONING PIN SPRING	-	X	X	X	X	X	X	X	X	X	X
05	141913-451	NEEDLE POSITION LEVER BRACKET STUD ARM SET SCREW	-	X	X	X	X	X	X	X	X	X	X
06	445721	NEEDLE BAR DRIVING ARM SLIDE BRACKET RETAINING RING	-	X	X	X	X	X	X	X	X	X	X
07	44371	DISC FOLLOWER STUD RETAINING RING (LOWER)	-	X	X	X	X	X	X	X	X	X	X
08	446023	DISC FOLLOWER STUD	-	X	X	X	X	X	X	X	X	X	X
09	445646	DISC FOLLOWER	-	X	X	X	X	X	X	X	X	X	X
10	356228	NEEDLE POSITION SELECTOR LEVER BRACKET POSITIONING PIN	-	X	X	X	X	X	X	X	X	X	X
11	54591-451	DISC FOLLOWER STUD NUT	-	X	X	X	X	X	X	X	X	X	X
12	446401	NEEDLE POSITION SELECTOR LEVER MOUNTING PLATE	-	X	X	X	X	X	X	X	X	X	X
13	356904	DISC FOLLOWER SPRING	-	-	X	X	X	X	-	X	X	X	X
14	445646	DISC FOLLOWER	-	X	X	X	X	X	X	X	X	X	X
15	356961-452	NEEDLE POSITION SELECTOR LEVER KNOB (PLASTIC) (GRAY)	-	X	X	X	X	X	X	X	X	X	X
15	356961-451	NEEDLE POSITION SELECTOR LEVER KNOB (PLASTIC) (WHITE)	-	X	X	X	X	X	X	X	X	X	X
16	446397	NEEDLE POSITION SELECTOR LEVER	-	X	X	X	X	X	X	X	X	X	X
17	141913-451	NEEDLE POSITION SELECTOR LEVER SCREW	-	X	X	X	X	X	X	X	X	X	X
18	353547	NEEDLE POSITION SELECTOR LEVER BRACKET	-	X	X	-	-	-	-	-	-	-	-
19	446399	NEEDLE POSITION SELECTOR LEVER ASSEMBLY	-	X	X	-	-	-	-	-	-	-	-
20	44628	NEEDLE POSITION SELECTOR LEVER BRACKET ASSEMBLY	-	-	-	X	X	X	X	X	X	X	X
21	446400	NEEDLE POSITION SELECTOR LEVER BRACKET COMPLETE	-	-	-	X	X	X	X	X	X	X	X
22	113455-001	NEEDLE POSITION SELECTOR LEVER MOUNTING PLATE SCREW	-	X	X	X	X	X	X	X	X	X	X

From the library of: Diamond Needle Corp

CAM STACK



From the library of: Diamond Needle Corp

REV: \_\_\_\_\_  
DATE: DEC/98



**PART LIST  
CAM STACK**

**2 2 2 2 2 2 2 2 2 2  
6 6 6 6 6 6 6 6 6 6  
0 0 0 0 0 1 1 2 3 4  
1 2 3 4 5 5 6 8 0 3**

**REF. PART NBR. DESCRIPTION**

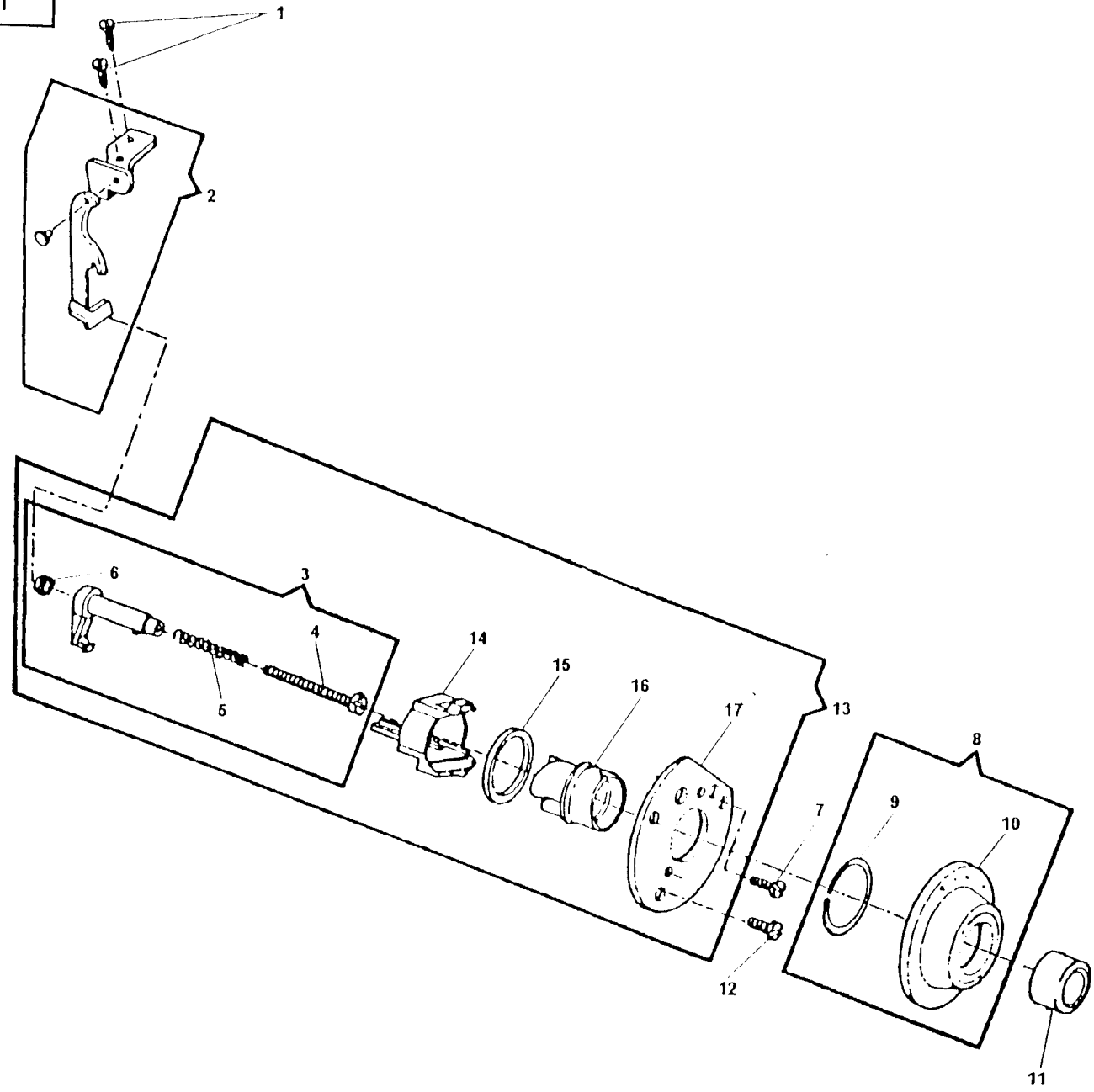
01	356763-930	DISC DRIVING GEAR COMPLETE	-	-	X	X	X	X	-	X	X	X
02	356765-900	DISC DRIVING GEAR SHAFT	-	-	X	X	X	X	-	X	X	X
03	444911	DISC DRIVING GEAR SHAFT ASSEMBLY	-	-	X	X	X	X	-	X	X	X
04	446176	DISC DRIVING GEAR POSITIONING ADJUSTING SPACER	-	-	X	X	X	X	-	X	X	X
05	444908	DISC DRIVING GEAR RETAINING SPRING	-	-	X	X	X	X	-	X	X	X
06	446138	DISC DRIVING GEAR POSITIONING ADJUSTING SPACER SCREW WASHER	-	-	X	X	X	X	-	X	-	-
07	141920-451	DISC DRIVING GEAR POSITIONING ADJUSTING SPACER SCREW	-	-	X	X	X	X	-	X	X	X
08	603908-001	DISC DRIVING GEAR RETAINING RING	-	-	X	X	X	X	-	X	X	X
09	444903-453	DISC DRIVING GEAR RELEASING BRACKET RETAINING WASHER	-	-	X	X	X	X	-	X	X	X
10	444906	DISC DRIVING GEAR RELEASING BRACKET STUD COMPLETE	-	-	X	X	X	X	-	X	X	X
11	276301	DISC NBR 1 (FOR ZIG-ZAG STITCH)	-	-	X	X	X	X	-	X	X	X
12	356764	DISC DRIVING GEAR SHAFT MOUNTING PLATE ASSEMBLY	-	-	X	X	X	X	-	X	X	X
13	446421-930	DISC DRIVING GEAR COMPLETE	-	X	-	-	-	-	-	-	-	-
13	353288-930	DISC DRIVING GEAR COMPLETE	-	-	-	-	-	-	X	-	-	-
14	444921	DISC DRIVING GEAR RETANING RING	-	X	-	-	-	-	X	-	-	-
15	444923-453	DISC DRIVING GEAR SHAFT FRICTION WASHER	-	X	X	X	X	X	X	X	X	X
16	113375-451	DISC STACK POSITIONING SCREW	-	X	-	-	-	-	-	-	-	-
16	141920-451	DISC STACK POSITIONING SCREW	-	-	-	-	-	-	X	-	-	-
17	446138	DISC STACK POSITIONING WASHER	-	X	-	-	-	-	X	-	-	-
18	445762	DISC STACK (PLASTIC)	-	X	-	-	-	-	X	-	-	-
19	179958	DISC DRIVING GEAR	-	X	-	-	-	-	-	-	-	-
19	445754	DISC DRIVING GEAR	-	-	-	-	-	-	X	-	-	-
20	353424	DISC DRIVING GEAR SHAFT SPACER	-	X	X	X	X	X	X	X	X	X
21	446420	DISC DRIVING GEAR SHAFT MOUNTING PLATE ASSEMBLY	-	X	-	-	-	-	X	-	-	-
22	446418	DISC DRIVING GEAR SHAFT	-	X	-	-	-	-	X	-	-	-
23	353575	DISC DRIVING GEAR SHAFT MOUNTING PLATE	-	X	X	X	X	X	X	X	X	X
24	353488	DISC DRIVING GEAR SHAFT WASHER	-	X	X	X	X	X	X	X	X	X
25	53648-451	DISC DRIVING GEAR SHAFT NUT	-	X	X	X	X	X	X	X	X	X
26	113455-001	DISC DRIVING GEAR SHAFT MOUNTING PLATE SCREW	-	X	X	X	X	X	X	X	X	X
27	113435-451	DISC DRIVING GEAR SHAFT MOUNTING PLATE SCREW	-	X	X	X	X	X	X	X	X	X
28	353375-451	DISC DRIVING GEAR SHAFT MOUNTING PLATE SCREW WASHER	-	X	X	X	X	X	X	X	X	X

From the library of: Diamond Needle Corp

**2600 series.  
P/N 357671-001**

**Adopt.**

FEED REGULATOR CAM



From the library of: Diamond Needle Corp

REV: \_\_\_\_\_  
DATE: DEC/98

**PART LIST**  
**FEED REGULATOR CAM**

2 2 2 2 2 2 2 2 2 2  
6 6 6 6 6 6 6 6 6 6  
0 0 0 0 0 1 1 2 3 4  
1 2 3 4 5 5 6 8 0 3

**REF. PART NBR. DESCRIPTION**

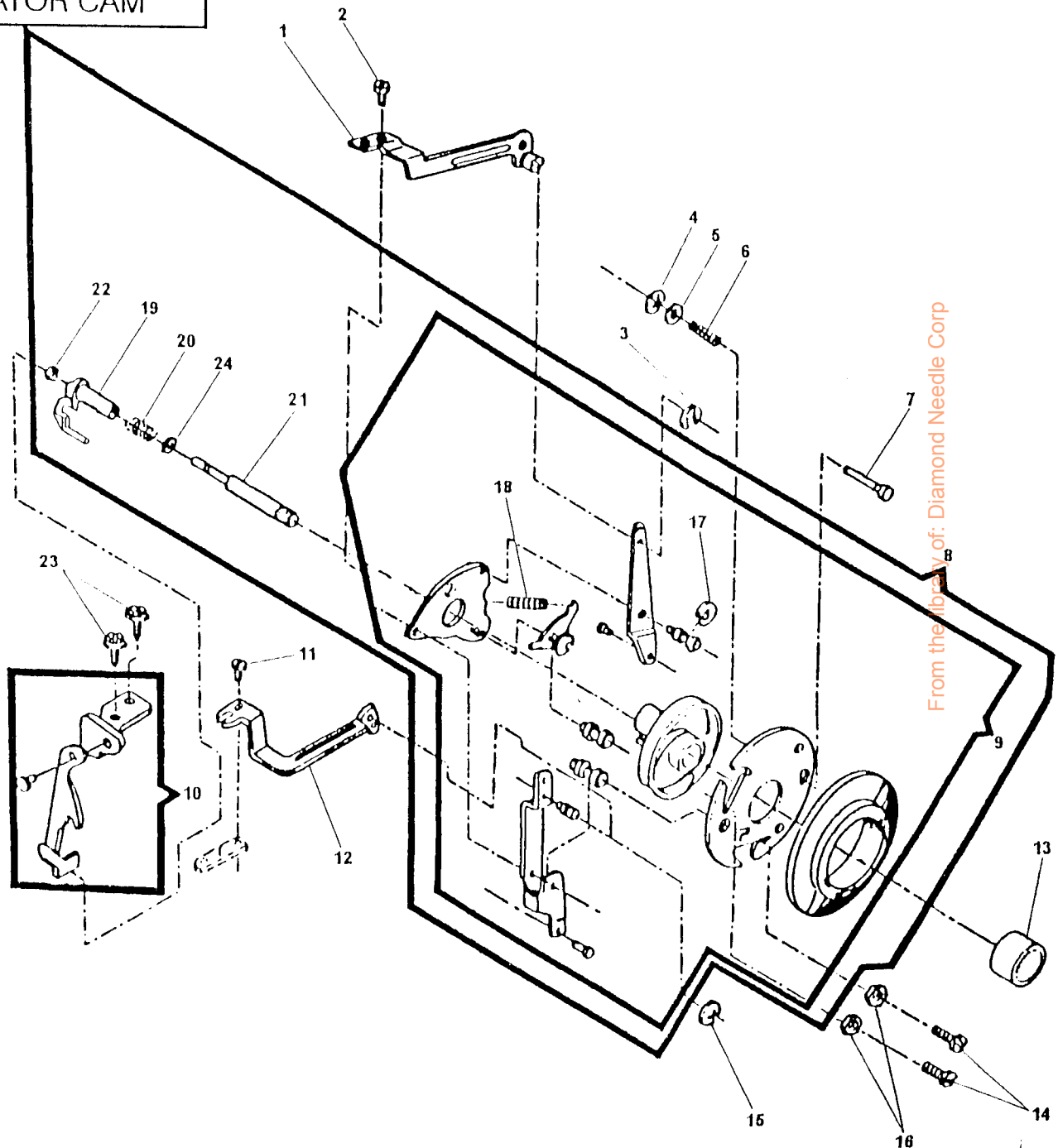
REF. PART NBR.	DESCRIPTION	1	2	3	4	5	5	6	8	0	3
01	113455-001										
02	353304										
03	356397										
04	354975-451										
05	44892										
06	618638-005										
07	531806-451										
08	356998-451										
09	445461										
10	356997-451										
11	356115-452										
12	531807-451										
13	353478										
14	446284										
15	446282										
16	353477										
17	446283										

From the library of: Diamond Needle Corp

2600 series.  
P/N 357671-001

Adopt.

# BUTTONHOLER & FEED REGULATOR CAM



From the library of: Diamond Needle Corp

REV: \_\_\_\_\_  
DATE: DEC/98

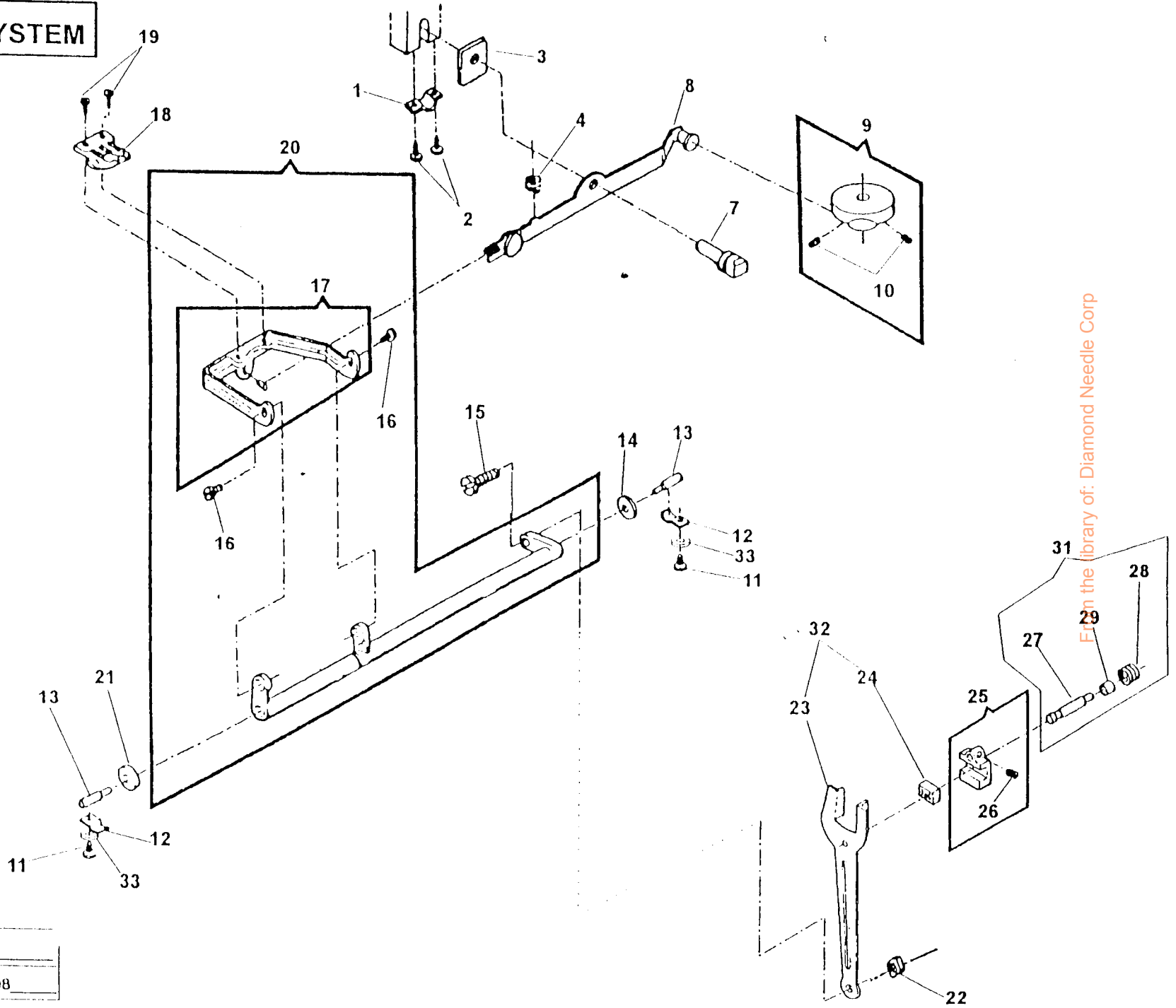
**PART LIST**  
**BUTTONHOLER & FEED REGULATOR CAM**

2 2 2 2 2 2 2 2 2 2  
 6 6 6 6 6 6 6 6 6 6  
 0 0 0 0 0 1 1 2 3 4  
 1 2 3 4 5 5 6 8 0 3

F. PART NBR.	DESCRIPTION	1	2	3	4	5	5	6	8	0	3
353536	BUTTONHOLER NEEDLE POSITION CAM FOLLOWER LEVER LINK (RIGHT)	-	-	-	X	X	X	X	X	X	X
141913-451	BUTTONHOLER NEEDLE POSITION CAM FOLLOWER LEVER LINK (LEFT & RIGHT) SCREW	-	-	-	X	X	X	X	X	X	X
445486	BUTTONHOLER NEEDLE POSITION CAM FOLLOWER LEVER LINK (RIGHT) RETAINING RING	-	-	-	X	X	X	X	X	X	X
408030	BUTTONHOLER & FEED REGULATOR MECHANISM MOUNTING PLATE STUD RETAINING RING	-	-	-	X	X	X	X	X	X	X
445808	BUTTONHOLER & FEED REGULATOR MECHANISM MOUNTING PLATE STUD SPRING WASHER	-	-	-	X	X	X	X	X	X	X
179949	BUTTONHOLER & FEED REGULATOR MECHANISM MOUNTING PLATE STUD SPRING	-	-	-	X	X	X	X	X	X	X
356230	BUTTONHOLER & FEED REGULATOR MECHANISM MOUNTING PLATE STUD	-	-	-	X	X	X	X	X	X	X
357012-452	BUTTONHOLER & FEED REGULATOR CAM COMPLETE	-	-	-	X	X	X	X	X	X	X
357013-452	BUTTONHOLER & FEED REGULATOR CAM ASSEMBLY	-	-	-	X	X	X	X	X	X	X
353304	FEED REGULATOR CONTROL ARM ASSEMBLY	-	-	-	X	X	X	X	X	X	X
141913-451	BUTTONHOLER BIGHT CONTROL ARM FOLLOWER LEVER LINK (LEFT & RIGHT) SCREW	-	-	-	X	X	X	X	X	X	X
353551	BUTTONHOLER BIGHT CONTROL ARM FOLLOWER LEVER LINK (RIGHT)	-	-	-	X	X	X	X	X	X	X
356653-456	FEED REGULATOR POSITIONING PIN KNOB	-	-	-	X	X	X	X	X	X	X
113513-451	BUTTONHOLER & FEED REGULATOR MECHANISM MOUNTING PLATE SCREW	-	-	-	X	X	X	X	X	X	X
445486	BUTTONHOLER BIGHT CONTROL CAM FOLLOWER LEVER LINK (RIGHT) RETAINING RING	-	-	-	X	X	X	X	X	X	X
53640-819	BUTTONHOLER & FEED REGULATOR MECHANISM MOUNTING PLATE SCREW NUT	-	-	-	X	X	X	X	X	X	X
353215	BUTTONHOLER NEEDLE POSITION CAM FOLLOWER LEVER RETAINING RING	-	-	-	X	X	X	X	X	X	X
353495	BUTTONHOLER & FEED REGULATOR CONTROL DIAL PAWL SPRING	-	-	-	X	X	X	X	X	X	X
357094	FEED REGULATOR POSITIONING PIN CARRIER	-	-	-	X	X	X	X	X	X	X
44892	FEED REGULATOR POSITIONING PIN FRICTION SPRING	-	-	-	X	X	X	X	X	X	X
356650	FEED REGULATOR POSITIONING PIN	-	-	-	X	X	X	X	X	X	X
618638-005	FEED REGULATOR POSITIONING PIN CARRIER INSERT NUT	-	-	-	X	X	X	X	X	X	X
113455-001	FEED REGULATOR CONTROL ARM MOUNTING BRACKET SCREW	-	-	-	X	X	X	X	X	X	X
356830-001	FEED REGULATOR POSITIONING PIN WASHER	-	-	-	X	X	X	X	X	X	X

From the library of: Diamond Needle Corp

FEED SYSTEM



From the library of: Diamond Needle Corp

REV: \_\_\_\_\_  
DATA: DEC/98

**PART LIST  
FEED SYSTEM**

**2 2 2 2 2 2 2 2 2 2  
6 6 6 6 6 6 6 6 6 6  
0 0 0 0 0 1 1 2 3 4  
1 2 3 4 5 5 6 8 0 3**

**REF. PART NBR. DESCRIPTION**

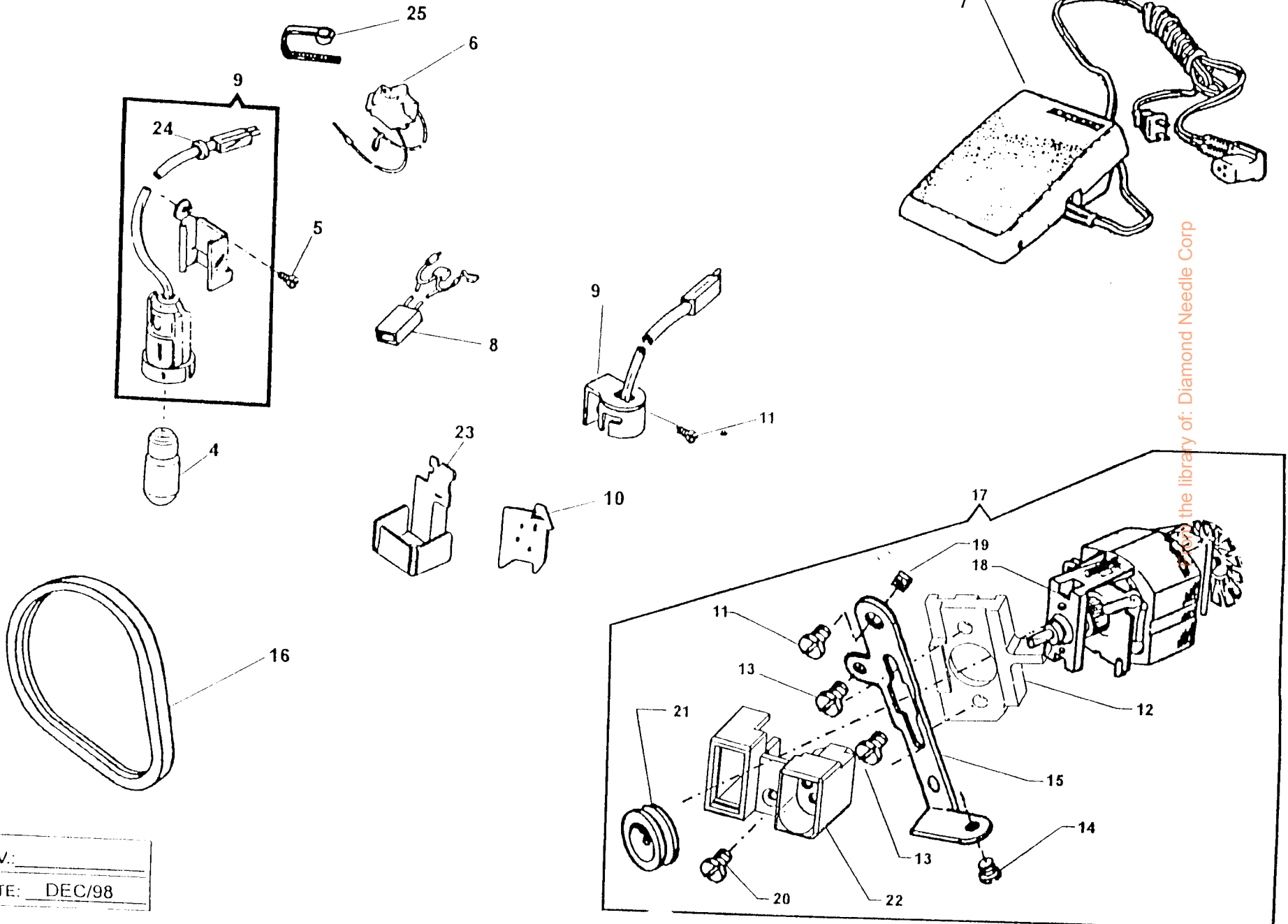
1	446485	FEED LIFTING LEVER HINGE STUD (ECCENTRIC) CLAMP	X	X	X	X	X	X	X	X	X	X	X
2	113455-001	FEED LIFTING LEVER HINGE STUD (ECCENTRIC) CLAMP	X	X	X	X	X	X	X	X	X	X	X
3	179955	FEED LIFTING LEVER HINGE STUD (ECCENTRIC) SPACER	X	X	X	X	X	X	X	X	X	X	X
4	446249	FEED LIFTING LEVER SPRING	X	X	X	X	X	X	X	X	X	X	X
7	357122	FEED LIFTING LEVER HINGE STUD (ECCENTRIC)	X	X	X	X	X	X	X	X	X	X	X
8	356222-001	FEED LIFTING LEVER ASSEMBLY	X	X	X	X	X	X	X	X	X	X	X
9	446228	FEED LIFTING CAM	X	X	X	X	X	X	X	X	X	X	X
0	544118	FEED LIFTING CAM SCREW	X	X	X	X	X	X	X	X	X	X	X
1	113455-001	FEED ROCK SHAFT CENTER-SUPPORTING BRACKET SCREW	X	X	X	X	X	X	X	X	X	X	X
2	446484	FEED ROCK SHAFT CENTER CLAMP (LEFT & RIGHT)	X	X	X	X	X	X	X	X	X	X	X
3	446487-001	FEED ROCK SHAFT CENTER	X	X	X	X	X	X	X	X	X	X	X
4	353397	FEED ROCK SHAFT CENTER (RIGHT) NOISE DAMPENING WASHER	X	X	X	X	X	X	X	X	X	X	X
5	53648-451	FEED FORKED CONNECTING SCREW STUD NUT	X	X	X	X	X	X	X	X	X	X	X
6	354939-451	FEED BAR HINGE SCREW	X	X	X	X	X	X	X	X	X	X	X
7	446205	FEED BAR ASSEMBLY	X	X	X	X	X	X	X	X	X	X	X
8	179891	FEED DOG	X	X	X	X	X	X	X	X	X	X	X
9	355235-451	FEED DOG SCREW	X	X	X	X	X	X	X	X	X	X	X
0	446216	FEED ROCK SHAFT COMPLETE	X	X	X	X	X	X	X	X	X	X	X
1	353397	FEED ROCK SHAFT CENTER (LEFT) NOISE DAMPENING WASHER	X	X	X	X	X	X	X	X	X	X	X
2	531623-451	FEED FORKED CONNECTING HINGE SCREW (ECCENTRIC)	X	X	X	X	X	X	X	X	X	X	X
3	531926	FEED FORKED CONNECTING	X	X	X	X	X	X	X	X	X	X	X
4	44437	FEED FORKED CONNECTING SLIDE BLOCK	X	X	X	X	X	X	X	X	X	X	X
5	446244	FEED REGULATOR ASSEMBLY	X	X	X	X	X	X	X	X	X	X	X
6	141925-833	FEED REGULATOR SET SCREW	X	X	X	X	X	X	X	X	X	X	X
7	446483	FEED REGULATOR HINGE STUD	X	X	X	X	X	X	X	X	X	X	X
8	179890	FEED REGULATOR RETURN SPRING	X	X	X	X	X	X	X	X	X	X	X
9	445768	FEED REGULATOR RETURN SPRING BUSHING (PLASTIC)	X	X	X	X	X	X	X	X	X	X	X
0	353600	FEED REGULATOR HINGE STUD ASSEMBLY	X	X	X	X	X	X	X	X	X	X	X
1	531927	FEED FORKED CONNECTION ASSEMBLY WITH BLACK	X	X	X	X	X	X	X	X	X	X	X
2	353375-451	FEED ROCK SHAFT CENTER SUPPORT BRACKET SCREW WASHER	X	X	X	XX	X	X	X	X	X	X	X

From the library of: Diamond Needle Corp

2600 series.  
P/N 357671-001

Adopt.

# ELECTRICAL EQUIPMENT



the library of: Diamond Needle Corp

REV: \_\_\_\_\_  
DATE: DEC/98



**PART LIST  
ELECTRICAL EQUIPMENT**

**2 2 2 2 2 2 2 2 2 2  
6 6 6 6 6 6 6 6 6 6  
0 0 0 0 0 1 1 2 3 4  
1 2 3 4 5 5 6 8 0 3**

**REF. PART NBR. DESCRIPTION**

04	988076-001	LAMP (120V)	X	X	X	X	X	X	X	X	X	X	X	X
04	988076-003	LAMP (220/250V)	X	X	X	X	X	X	X	X	X	X	X	X
05	354592-451	LIGHT SOCKET MOUNTING SCREW	X	X	X	X	X	X	X	X	X	X	X	X
06	362250-904	SWITCH (USA/CANADA)	X	X	X	X	X	X	X	X	X	X	X	X
06	362307-001	SWITCH COMPLETE (NON REG.)	X	X	X	X	X	X	X	X	X	X	X	X
06	988763-004	SWITCH (IEC CONSTRUCTION)	X	X	X	X	X	X	X	X	X	X	X	X
07	362095-001	CONTROLLER (120V - UL/CSA - FLAT BLADE)	X	X	X	X	X	X	X	X	X	X	X	X
07	362095-002	CONTROLLER (220/240V - EUROPLUG)	X	X	X	X	X	X	X	X	X	X	X	X
07	362095-005	CONTROLLER (120V - NON REG. - ROUND PIN)	X	X	X	X	X	X	X	X	X	X	X	X
07	362095-006	CONTROLLER (220V - NON REG. - ROUND PIN)	X	X	X	X	X	X	X	X	X	X	X	X
07	362095-007	CONTROLLER (120V - NON REG. FLAT BLADE)	X	X	X	X	X	X	X	X	X	X	X	X
07	362095-008	CONTROLLER (220V - NON REG. FLAT BLADE)	X	X	X	X	X	X	X	X	X	X	X	X
07	362095-010	CONTROLLER (240V - AUSTRALIA)	X	X	X	X	X	X	X	X	X	X	X	X
07	362095-014	CONTROLLER (220V - ARGENTINA)	X	X	X	X	X	X	X	X	X	X	X	X
07	362095-015	CONTROLLER (220/240V - 3 PIN B51363)	X	X	X	X	X	X	X	X	X	X	X	X
07	362095-016	CONTROLLER (GERMANY)	X	X	X	X	X	X	X	X	X	X	X	X
07	362095-022	CONTROLLER (220V - GOST FOR RUSSIA)	X	X	X	X	X	X	X	X	X	X	X	X
08	988764-003	LIGHT RECEPTACLE HARNESS (USA/CANADA)	X	X	X	X	X	X	X	X	X	X	X	X
08	988764-005	LIGHT RECEPTACLE HARNESS (NON REG.)	X	X	X	X	X	X	X	X	X	X	X	X
08	988768-003	LIGHT RECEPTACLE HARNESS (IEC)	X	X	X	X	X	X	X	X	X	X	X	X
09	362001-007	LIGHT SOCKET (L15 - NON REG.)	X	X	X	X	X	X	X	X	X	X	X	X
09	362160-002	LIGHT SOCKET (L15B - USA/CANADA)	X	X	X	X	X	X	X	X	X	X	X	X
09	605488-025	LIGHT SOCKET (L9 - EUROPE)	X	X	X	X	X	X	X	X	X	X	X	X
10	179901	LIGHT SHIELD (WITH GRAPHICS)	X	X	X	X	X	X	X	X	X	X	X	X
11	113372-451	MOTOR MOUNTING PLATE SET SCREW	X	X	X	X	X	X	X	X	X	X	X	X
12	362237-901	MOTOR MOUNTING SPACER	X	X	X	X	X	X	X	X	X	X	X	X
13	362264-901	MOTOR MOUNTING PLATE CLAMP SCREW	X	X	X	X	X	X	X	X	X	X	X	X
14	113370-451	MOTOR MOUNTING PLATE SCREW	X	X	X	X	X	X	X	X	X	X	X	X
15	356803-901	MOTOR MOUNTING PLATE	X	X	X	X	X	X	X	X	X	X	X	X
16	196388-003	MOTOR BELT (V)	X	X	X	X	X	X	X	X	X	X	X	X
17	362180-001	MOTOR COMPLETE (USA/CANADA)	X	X	X	X	X	X	X	X	X	X	X	X
17	362180-008	MOTOR COMPLETE (120V - NON REG.)	X	X	X	X	X	X	X	X	X	X	X	X
17	362180-009	MOTOR COMPLETE (220V - NON REG.)	X	X	X	X	X	X	X	X	X	X	X	X

**2600 series.  
P/N 357671-001**

**Adopt.**

**PART LIST  
ELECTRICAL EQUIPMENT(CONT.)**

2 2 2 2 2 2 2 2 2 2  
6 6 6 6 6 6 6 6 6 6  
0 0 0 0 0 1 1 2 3 4  
1 2 3 4 5 5 6 8 0 3

**REF. PART NBR. DESCRIPTION**

17	362180-010	MOTOR COMPLETE (220/240V - RUSSIA)	X	X	X	X	X	X	X	X	X	X	X
17	362180-011	MOTOR COMPLETE (220/240V - IEC/EUROPE)	X	X	X	X	X	X	X	X	X	X	X
17	362180-018	MOTOR COMPLETE (220/240V - NON REG.)	X	X	X	X	X	X	X	X	X	X	X
18	362207-005	SERIES MOTOR MODULE (120V - NON REG.)	X	X	X	X	X	X	X	X	X	X	X
18	362207-006	SERIES MOTOR MODULE (220V - NON REG.)	X	X	X	X	X	X	X	X	X	X	X
18	988752-011	SERIES MOTOR MODULE (220/240V - IEC/SAA)	X	X	X	X	X	X	X	X	X	X	X
18	988752-010	SERIES MOTOR MODULE (120V - CSA)	X	X	X	X	X	X	X	X	X	X	X
18	988752-013	SERIES MOTOR MODULE (220/240V - NON REG.)	X	X	X	X	X	X	X	X	X	X	X
19	313470-452	MOTOR MOUNTING PLATE SCREW NUT	X	X	X	X	X	X	X	X	X	X	X
20	362263-901	COMMUTATOR END SET SCREW NUT	X	X	X	X	X	X	X	X	X	X	X
21	988176-001	MOTOR PULLEY	X	X	X	X	X	X	X	X	X	X	X
22	362239-001	COMMUTATOR END (120V - USA/CANADA)	X	X	X	X	X	X	X	X	X	X	X
22	362239-008	COMMUTATOR END (120V - NON REG.)	X	X	X	X	X	X	X	X	X	X	X
22	362239-009	COMMUTATOR END (220V - NON REG.)	X	X	X	X	X	X	X	X	X	X	X
22	362239-010	COMMUTATOR END (220/240V - RUSSIA)	X	X	X	X	X	X	X	X	X	X	X
22	362239-011	COMMUTATOR END (220/240V - IEC/SAA)	X	X	X	X	X	X	X	X	X	X	X
22	362239-018	COMMUTATOR END (220/240V - NON REG.)	X	X	X	X	X	X	X	X	X	X	X
23	605087-001	HEAT SHIELD	X	X	X	X	X	X	X	X	X	X	X
24	179908-001	LIGHT LEAD GROMMET	X	X	X	X	X	X	X	X	X	X	X
25	605600-004	TYE RAP	X	X	X	X	X	X	X	X	X	X	X

From the Library of Darrin Needle Corp.

<u>REF.</u>	<u>NEW</u>	<u>IN REPLACE OF</u>	<u>DATE</u>
13	362264-901	354637-454	04/06/1997

2600 series.  
P/N 357671-001

Adopt.